

Datasheet

# L2 Management PoE Switch

WI-PMS310GF | WI-PMS312GF | WI-PMS318GF | WI-PMS320GF |  
WI-PMS326GF | WI-PMS328GF



## Overview

The Wi-Tek L2 Management Gigabit PoE Switch offers 8/16/24 PoE ports, providing flexible and high-performance full-gigabit access and uplink ports. It supports complete security protection mechanisms, perfect ACL/QoS policies, and flexible VLAN functions. The switch is easy to manage and maintain, highly secure, and cost-effective. It is the preferred networking equipment for small and midsize business.

## Features

### Flexible VLAN Division

In the enterprise office network, in order to isolate network access between different departments to avoid PCs infected by virus affecting the entire network, it is necessary to divide the interior into different VLANs to isolate the broadcast domain and improve the stability of the network.

### Advanced QoS features

To integrate voice, data, and video services on one traffic based on a variety of means, including IP or MAC address, TCP or UDP port number, etc., to ensure that voice and video are always clear, smooth, and jitter-free. In conjunction with the Voice VLAN that the switch supports, the voice applications will operate with much smoother performance.

### High Reliability

Support STP / RSTP / MSTP Spanning Tree Protocol to eliminate layer 2 loops and implement link backup. Support port aggregation to effectively increase link bandwidth, achieve load balancing, link backup and enhance link reliability.

### Abundant Management Features

Easy to use and manage. It supports various user-friendly standard management features, such as intuitive web-based Graphical User Interface (GUI), Command Line Interface (CLI), SNMP (v1/v2c/v3), and RMON, which allows the switch to provide valuable status information and send reports on abnormal events.

# Specifications



Model	WI-PMS310GF	WI-PMS312GF	WI-PMS318GF
<b>Hardware Specifications</b>			
Hardware Version	V1	V1	V1
<b>Interfaces</b>			
Downlink Ports	8 x 10/100/1000Mbps RJ45 Ports	8 x 10/100/1000Mbps RJ45 Ports	16 x 10/100/1000Mbps RJ45 Ports
Uplink Ports	2 x 1000Mbps SFP Slots	4 x 1000Mbps Combo SFP Slots	2 x 1000Mbps SFP Slots
Management port	1 x Console Port	1 x Console Port	1 x Console Port
<b>Performance</b>			
Memory and Flash	128MB DDR3, 16MB Flash		
<b>PoE</b>			
PoE Port	Port 1– 8	Port 1– 8	Port 1–16
PoE Standard	IEEE 802.3af, IEEE 802.3at		
PoE Power Supply Type	End-span		
PoE Pin Assignment	1/2(+), 3/6(-)		
PoE Power	30 W Max. for each port, 130 W Max. for PoE power budget	30 W Max. for each port, 126 W Max. for PoE power budget	30 W Max. for each port, 274 W Max. for PoE power budget
<b>Switch Property</b>			
Standards and Protocols	IEEE 802.3i, IEEE 802.3u, IEEE 802.3ab, IEEE802.3z, IEEE 802.3ad, IEEE 802.3x, IEEE 802.3af, IEEE 802.3at, IEEE 802.3az, IEEE 802.1D, IEEE 802.1s, IEEE 802.1w, IEEE 802.1Q, IEEE 802.1X, IEEE 802.1p		
Forwarding Mode	Store and Forward		
Switching Capacity	20 Gbps	24 Gbps	36 Gbps
Packet Forwarding Rate	14.88 Mpps	17.86 Mpps	26.78 Mpps

MAC Address Table	8 k
Packet Buffer Memory	16 MB
Jumbo Frame	9 k

Power Supply			
Input Power	AC 100–240V 50/60Hz		
Power Consumption	Idle: 20 W 100% Traffic Rate with PoE: 150 W	Idle: 24 W 100% Traffic Rate with PoE: 150 W	Idle: 26 W 100% Traffic Rate with PoE: 300 W

Physical Characteristics			
LED Indicators	<p><b>PWR</b></p> <p>Solid on: The device power on is normal</p> <p>Off: The device is power off or failed</p>	<p><b>POWER</b></p> <p>Solid on: The device power on is normal</p> <p>Off: The device is power off or failed</p>	<p><b>PWR</b></p> <p>Solid on: The device power on is normal</p> <p>Off: The device is power off or failed</p>
	<p><b>SYS</b></p> <p>Blinking: The system works</p> <p>Off: The system is starting or has no power</p>	<p><b>SYS</b></p> <p>Blinking: The system works</p> <p>Off: The system is starting or has no power</p>	<p><b>SYS</b></p> <p>Blinking: The system works</p> <p>Off: The system is starting or has no power</p>
	<p><b>PoE</b></p> <p>Solid on: Equipment connected, normal power supply</p> <p>Off: Port not for terminal equipment power supply</p>	<p><b>PoE</b></p> <p>Solid on: Equipment connected, normal power supply</p> <p>Off: Port not for terminal equipment power supply</p>	<p><b>PoE</b></p> <p>Solid on: Equipment connected, normal power supply</p> <p>Off: Port not for terminal equipment power supply</p>
	<p><b>LNK</b></p> <p>Solid on: Port connected</p> <p>Blinking: Data transmission</p> <p>Off: Port disconnected</p>	<p><b>Link</b></p> <p>Solid on: Port connected</p> <p>Blinking: Data transmission</p> <p>Off: Port disconnected</p>	<p><b>LNK/ACT</b></p> <p>Solid on: Port connected</p> <p>Blinking: Data transmission</p> <p>Off: Port disconnected</p>

	<b>9, 10</b> Solid on: Port connected Blinking: Data transmission Off: Port disconnected	<b>1000M</b> On: The negotiate speed is 1000Mbps and ports link up Off: The negotiate speed is 10/100Mbps, not 1000Mbps	<b>1000M</b> On: The negotiate speed is 1000Mbps and ports link up Off: The negotiate speed is 10/100Mbps, not 1000Mbps
Buttons	RESET(a black hole): Hold for >5 sec. to restore factory default.	RET: Hold for >5 sec. to restore factory default.	RET: Hold for >5 sec. to restore factory default.
Fan Quantity	Fanless	2	
Dimensions (W*D*H)	208 x 144 x 44mm	295 x 200 x 44mm	440 x 302 x 44mm
Weight	Net Weight:1.00kg	Net Weight:1.55kg	Net Weight: 3.22 kg
	Package Weight:1.58kg	Package Weight:2.31kg	Package Weight: 4.01 kg
Installation	Desktop、 Rack-mounted		
<b>Environmental</b>			
Reliability	Surge Immunity	IEC 61000-4-5 Common mode 6 kV Differential mode 2 kV	
	ESD Protection	IEC 61000-4-2 Contact discharge 6 kV Air discharge 8 kV	
Operating Temperature	0°C to 40°C(32°F to 104°F)		
Operating Humidity	10%~90% RH no condensation		
Storage Temperature	-40°C to 70°C(-40°F to 158°F)		
Storage Humidity	5%~90% RH no condensation		
<b>Others</b>			
Certification	CE, FCC, RoHS, UKCA, RCM		



Model	WI-PMS320GF	WI-PMS326GF	WI-PMS328GF
<b>Hardware Specifications</b>			
Hardware Version	V1	V1	V1
<b>Interfaces</b>			
Downlink Ports	16 x 10/100/1000Mbps RJ45 Ports	24 x 10/100/1000Mbps RJ45 Ports	24 x 10/100/1000Mbps RJ45 Ports
Uplink Ports	2 x 1000Mbps RJ45 Ports 2 x 1000Mbps SFP Slots	2 x 1000Mbps SFP Slots	4 x 1000Mbps Combo SFP Slots
Management port	–	1 x Console Port	1 x Console Port
<b>Performance</b>			
Memory and Flash	128MB DDR3, 16MB Flash		
<b>PoE</b>			
PoE Port	Port 1– 16	Port 1– 24	Port 1 – 24
PoE Standard	IEEE 802.3af, IEEE 802.3at		
PoE Power Supply Type	End–span		
PoE Pin Assignment	1/2(+), 3/6(–)		
PoE Power	30W Max. for each port, 270 W Max. for PoE power budget	30W Max. for each port, 370 W Max. for PoE power budget	30W Max. for each port, 365 W Max. for PoE power budget
<b>Switch Property</b>			
Standards and Protocols	IEEE 802.3i, IEEE 802.3u, IEEE 802.3ab, IEEE802.3z, IEEE 802.3ad, IEEE 802.3x, IEEE 802.3af, IEEE 802.3at, IEEE 802.3az, IEEE 802.1D, IEEE 802.1s, IEEE 802.1w, IEEE 802.1Q, IEEE 802.1X, IEEE 802.1p		
Forwarding Mode	Store and Forward		

Switching Capacity	36 Gbps	52 Gbps	56 Gbps
Packet Forwarding Rate	26.78 Mpps	38.69 Mpps	41.66 Mpps
MAC Address Table	8 k		
Packet Buffer Memory	16 MB		
Jumbo Frame	9 kB		

**Power Supply**

Input Power	AC 100–240 V 50/60Hz		
Power Consumption	Idle: 30 W 100% Traffic Rate with PoE: 300 W	Idle: 30 W 100% Traffic Rate with PoE: 400 W	Idle: 35 W 100% Traffic Rate with PoE:400 W

**Physical Characteristics**

LED Indicators	<p><b>POWER</b></p> <p>Blinking: The device power on is normal</p> <p>Off: The device is power off or failed</p>	<p><b>PWR</b></p> <p>Solid on: The device power on is normal</p> <p>Off: The device is power off or failed</p>	<p><b>PWR</b></p> <p>Solid on: The device power on is normal</p> <p>Off: The device is power off or failed</p>
	<p><b>PoE</b></p> <p>Solid on: Equipment connected, normal power supply</p> <p>Off: Port not for terminal equipment power supply</p>	<p><b>SYS</b></p> <p>Blinking: The system works</p> <p>Off: The system is starting or has no power</p>	<p><b>SYS</b></p> <p>Blinking: The system works</p> <p>Off: The system is starting or has no power</p>
	<p><b>Link</b></p> <p>Solid on: Port connected</p> <p>Blinking: Data transmission</p> <p>Off: Port disconnected</p>	<p><b>PoE</b></p> <p>Solid on: Equipment connected, normal power supply</p> <p>Off: Port not for terminal equipment power supply</p>	<p><b>PoE</b></p> <p>Solid on: Equipment connected, normal power supply</p> <p>Off: Port not for terminal equipment power supply</p>
	<p><b>1000M</b></p> <p>On: The negotiate speed is 1000Mbps and ports link up</p> <p>Off: The negotiate speed is 10/100Mbps, not 1000Mbps</p>	<p><b>Link/Act</b></p> <p>On: The negotiate speed is 100Mbps/10Mbps and ports link up</p>	<p><b>Link/Act</b></p> <p>On: The negotiate speed is 100Mbps/10Mbps and ports link up</p>

	<b>19、20</b> Solid on: Port connected Blinking: Data transmission Off: Port disconnected	<b>1000M</b> On: The negotiate speed is 1000Mbps and ports link up Off: The negotiate speed is not 1000Mbps	<b>1000M</b> On: The negotiate speed is 1000Mbps and ports link up Off: The negotiate speed is 10/100Mbps, not 1000Mbps
Buttons	RET: Hold for >5 sec. to restore factory default.		-
Fan Quantity	2		
Dimensions (W*D*H)	296 x 199 x 44mm	441 x 300 x 44mm	441 x 300 x 44mm
Weight	Net Weight: 1.86 kg	Net Weight: 3.30 kg	Net Weight: 3.48 kg
	Package Weight: 2.56 kg	Package Weight: 4.00 kg	Package Weight: 4.24 kg
Installation	Desktop、 Rack-mounted		
<b>Environmental</b>			
Reliability	Surge Immunity	IEC 61000-4-5 Common mode 6 kV Differential mode 2 kV	
	ESD Protection	IEC 61000-4-2 Contact discharge 6 kV Air discharge 8 kV	
Operating Temperature	0°C to 40°C(32°F to 104°F)		
Operating Humidity	10%~90% RH no condensation		
Storage Temperature	-40°C to 70°C(-40°F to 158°F)		
Storage Humidity	5%~90% RH no condensation		
<b>Others</b>			
Certification	CE, FCC, RoHS, UKCA, RCM		

<b>Software Features</b>			
Spanning Tree	IEEE 802.1D – STP		
	IEEE 802.1w – RSTP		
	IEEE 802.1s – MSTP		
	BPDU Guard		
	Ring protocol	Support ERPS ring network protocol	
		Support RPL configuration	
EAPS			
VLAN Group (Max 4K VLAN Groups)			
802.1Q Tagged VLAN			

VLAN	Voice VLAN	
	Protocol VLAN	
	MAC VLAN	
	QINQ	
	IP-subnet-vlan	
	GVRP	
Port	Link Aggregation	LACP
		Static
		Up to 8 aggregation groups and up to 8 ports per group
	Flow Control	
	Jumbo Frame	
	Broadcast Storm	
	Protected Port	
	Learn Limit	
	Port Rate Limit	
	DDM Information	
	Port mirroring	One-to-One
		Many-to-One
		Tx/Rx/Both
Loop Detection	Port based	
IP standard access list	1-99,1300-1999	
	Source IP Address	
	Time-Based ACL	
IP extended access list	100-199,2000-2699	
ACL	Source IP	
	Destination IP	
	IP Protocol	
	TCP Protocol	
	UDP Protocol	
	Source Port	
	Destination Port	



		Time-Based ACL
		TCP Control Flag (fin syn rst psh ack urg)
	MAC arp access list	1100–1199
		Sender MAC
		Time-Based ACL
		Source IP
	MAC IP access list	700–799
		Sender MAC
		Source IP
		Destination IP
		Time-Based ACL
		VLAN ID
	IPV6 access list	200–299
		Source Port
		Destination Port
		TCP Protocol
		UDP Protocol
		Time-Based ACL
		VLAN ID
Security	RADIUS/TACACS+/local	
	dot1x	802.1X
		MAC-Based
		port-Based
		Guest VLAN
	IP MAC-Port Binding	
	Broadcast/Multicast/Uni-cast Storm Control	
	Dynamic ARP Inspection	
	Secure Command Line Interface (CLI) management with SSHv1/SSHv2	
	DHCP Snooping	
8 priority queues		

QoS	802.1p CoS/DSCP priority	
	Queue scheduling	SP (Strict Priority)
		WRR (Weighted Round Robin)
		WFQ(Weighted Fair robin)
	ACL QOS	
Rate Limit	Send Packets / Receive Packets	
L2 Multicast	IGMP Snooping	IGMP filter-rule
		IGMP Querier
		IGMP Snooping v1v2/v3
	MLD Snooping	MLD v1/v2 Snooping
		MLD Snooping Statistics
	MVR	priority
		Port Setting
		Group Address
	GMRP	Fixed Registration
		Forbidden Registration
Normal Registration		
IPV6	IPv4/IPv6 Dual Protocol Stack	
	Ipv6 Web/SSL	
	Ipv6 SNMP	
	Ipv6 Telnet/SSH	
	Ipv6 Ping/Traceroute	
	Ipv6 TFTP	
	Ipv6 RADIUS/TACACS+	
	Ipv6 SNMP	
Management	Web-based GUI	
	Command Line Interface (CLI) through the console port, telnet	
	SNMP (v1 , v2c , v3 )	
	Trap/Inform	
	RMON ( 1 , 2 , 3 & 9 )	
	Firmware Upgrade	

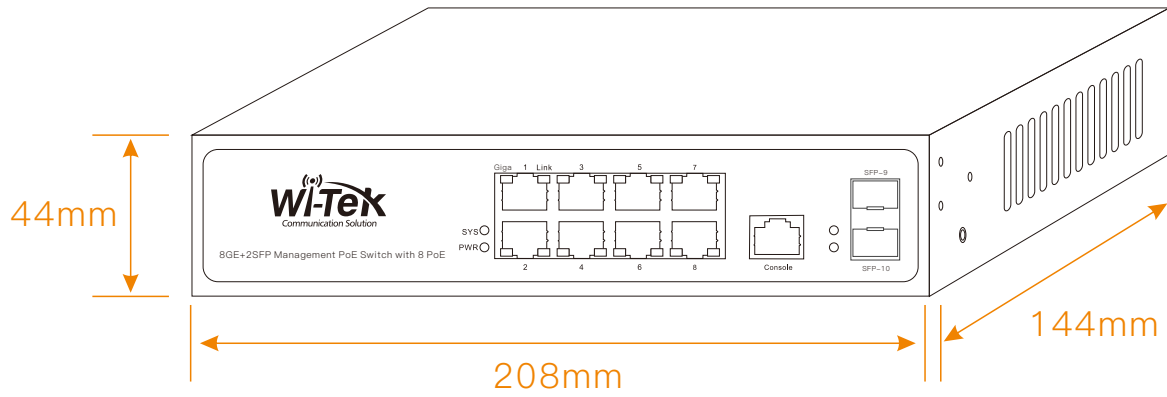


Management	Configuration Export/import
	System Log
	LLDP ( IEEE802.1AB)
	LLDP- MED
	UDLD
	DNS Client
	Traceroute
	NDP/NTDP
	Fiber Module
	Password Recovery
	CPU Monitoring
	Ping
	SNTP ( RFC2030)

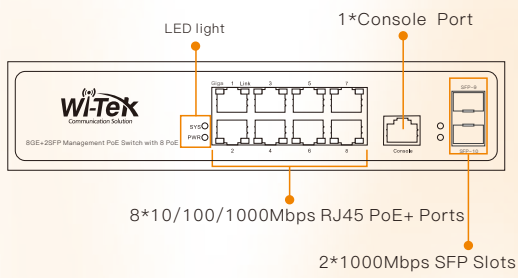
# Appearances and Dimensions

WI-PMS310GF

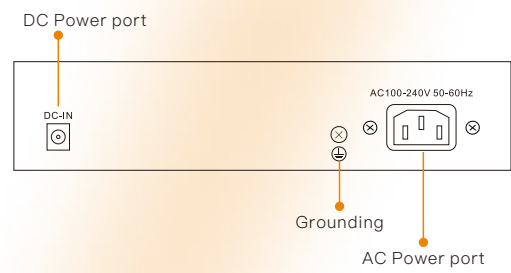
Dimensions (mm)



Front Panel

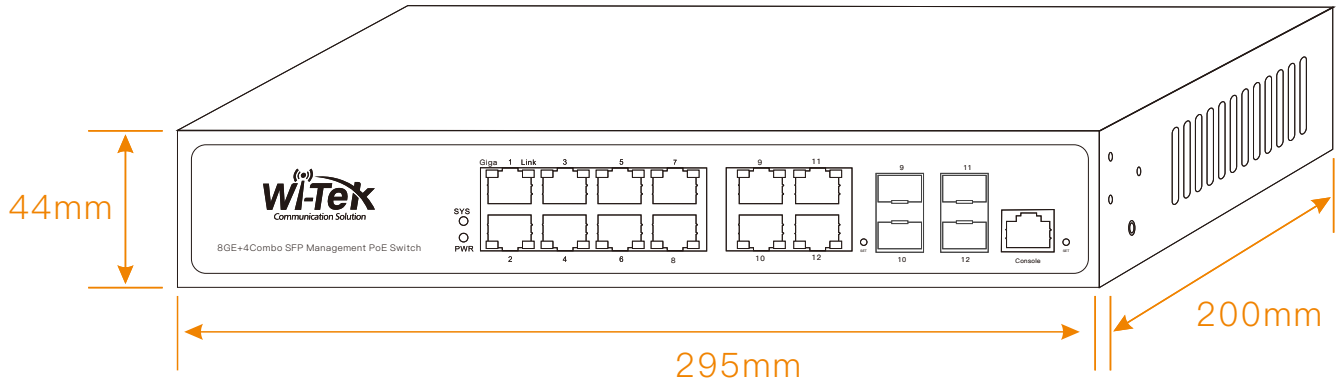


Side Panel



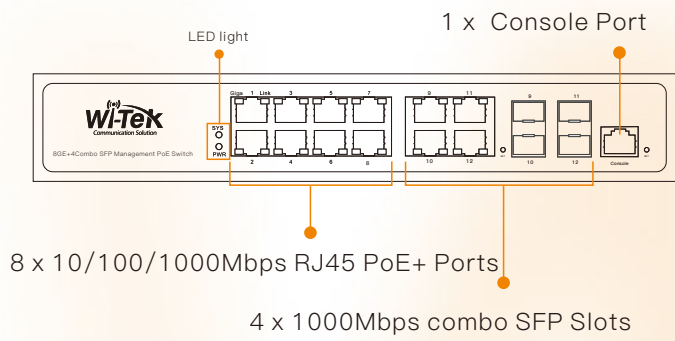
WI-PMS312GF

Dimensions (mm)



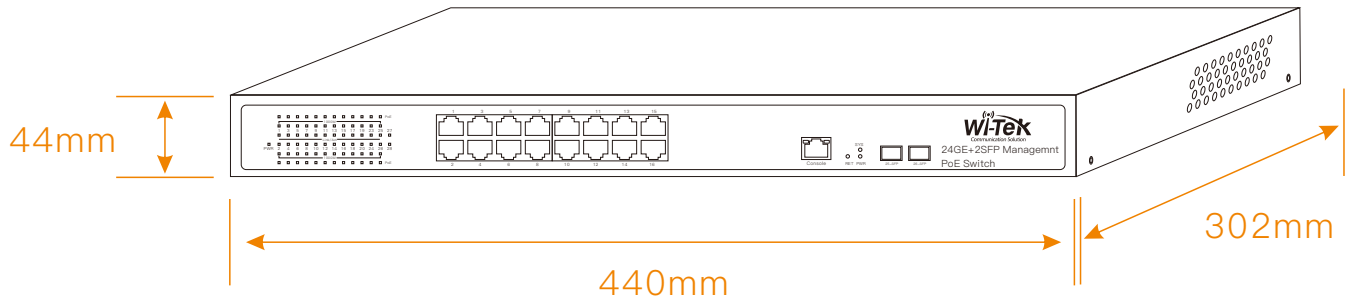
Front Panel

Side Panel

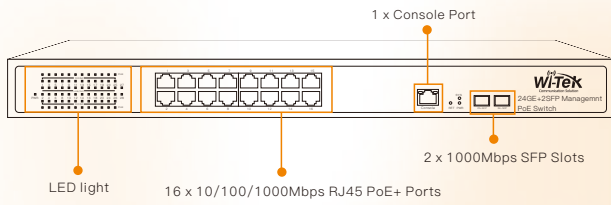


WI-PMS318GF

Dimensions (mm)



Front Panel

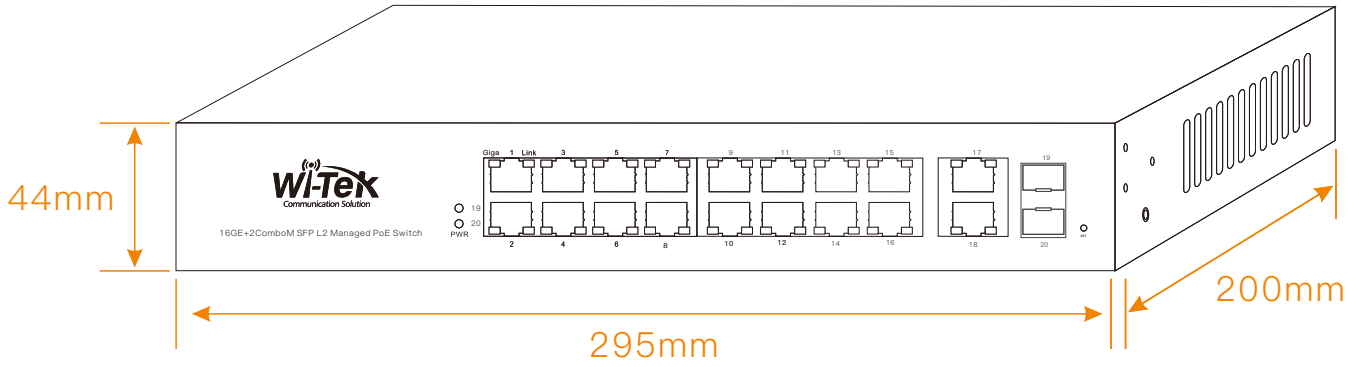


Side Panel

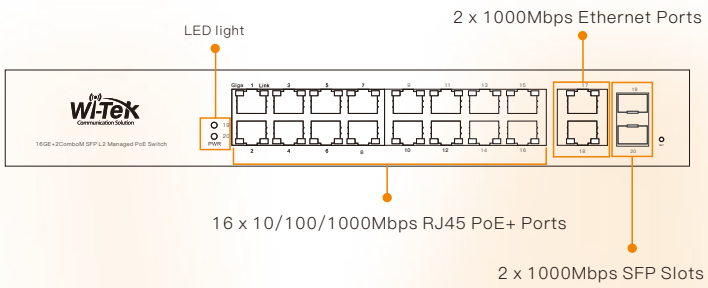


WI-PMS320GF

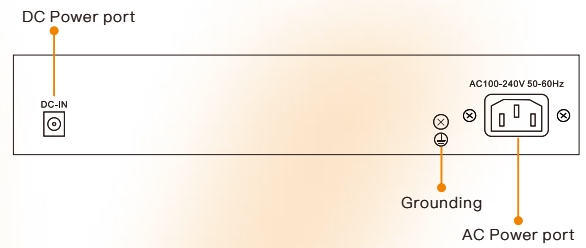
Dimensions (mm)



Front Panel

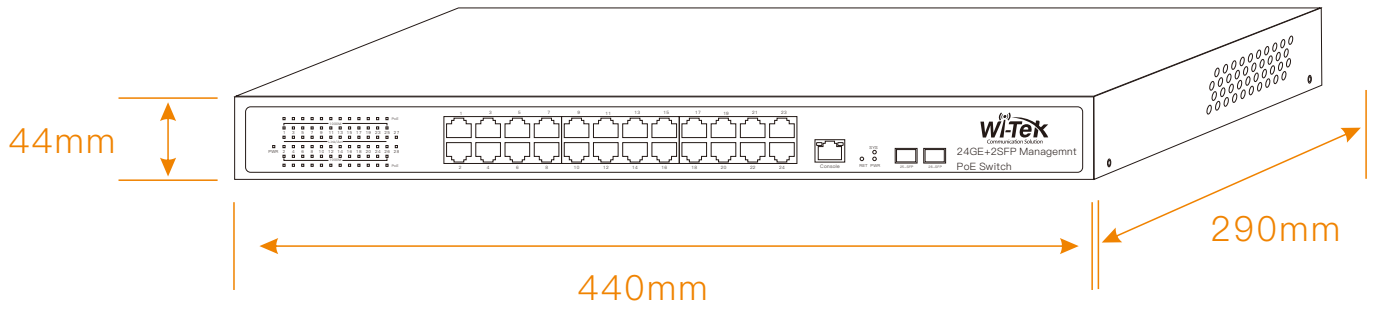


Side Panel

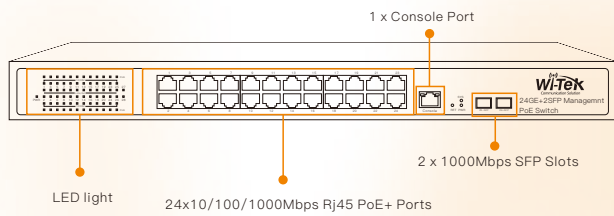


WI-PMS326GF

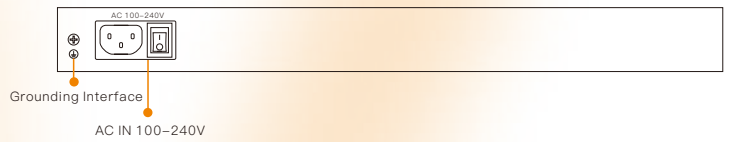
Dimensions (mm)



Front Panel



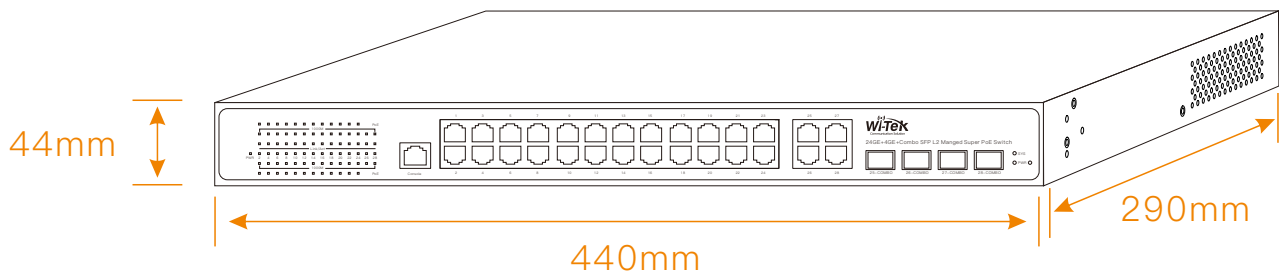
Side Panel



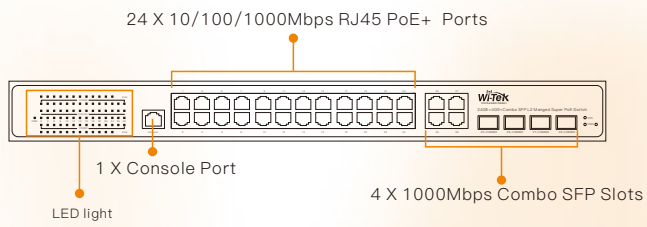


WI-PMS328GF

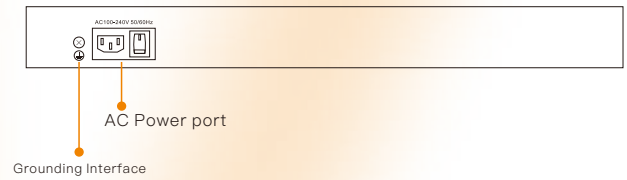
Dimensions (mm)



Front Panel



Side Panel



## Package Contents

Welcome to order our products. After purchasing, you will receive:

Items	Quantity
Switch	1 pcs
Power Cord	1 pcs
Rack Mount kit (Hooks × 2; Mats × 4; Screws × 8 )	1 pcs
Quick Installation Guide	1 pcs



Wireless-Tek Technology Limited

Address: Biaofan Technology Building 402, Bao'an street,  
Baoan District, Shenzhen City, Guangdong, China

Website: [www.wireless-tek.com](http://www.wireless-tek.com)

Tel: 86-0755-32811290

Email: [sales@wireless-tek.com](mailto:sales@wireless-tek.com)

Technical Support: [tech@wireless-tek.com](mailto:tech@wireless-tek.com)



Technical Support



Cloud Management



Company Website