

Yealink Premium USB Wired Headset

Yealink UH38 is a premium stereo USB headset featuring phenomenal call and music audio. Dual-microphone noise cancellation and Acoustic Shield Technology provide you with a superior call experience. UH38 supports USB and Bluetooth dual connections, allowing you to manage two call devices simultaneously to improve call processing efficiency. Premium materials and a sturdy metal frame make it textured and durable. Soft and skin-friendly headband&ear cushions make the headset all-day comfortable. UH38 is the headset that gives you the best focus and collaboration to improve your productivity to a new level, whether you're in the office or working remotely at home. It works seamlessly with major UC platforms and integrates natively with Yealink IP phones.



Dual Noise-Canceling
Microphones



Visible Busylight



Dual Devices
Connection



Built-in Battery



Built-in Blue-
tooth 5.1



Call and Music
Mode



UH38 Dual Teams-BAT
UH38 Dual UC-BAT

Phenomenal Audio for Call and Music

UH38 supports dynamic EQ to switch call mode or music mode automatically. You can enjoy clear and natural sound quality in call mode, spacious and detailed sound quality in music mode. The new angled ear cushion design and oval memory foam isolate the ambient noise, bringing excellent passive noise reduction and creating the best listening experience.

Dual Noise-Canceling Microphones

The dual-microphones noise cancellation and Acoustic Shield Technology can effectively resist the noise interference of the surrounding environment, greatly reduce the background noise during the call. It helps improve the clarity and quality of the call and bring the ultimate calling experience.

Dual Connections of USB and Bluetooth

Supported USB (USB-A or USB-C) and Bluetooth dual connection mode, the Bluetooth wireless distance can reach 10m (33 feet). Users can connect and manage two kinds of call devices simultaneously, thereby realizing the seamless switching between PC and mobile device, and improving call processing efficiency.

Call Controller with Build-in Battery

UH38 Dual headset can be powered by the built-in rechargeable battery when in Bluetooth mode, which combines the reliability of wired headsets and the flexibility of wireless headsets. (UH38 Mono headset has no built-in battery).

360° Busylight

The 360° busylight will automatically glow red when you are on the call or in the meeting to reduce external interference and improve work efficiency.

Skin-friendly and Soft Headband & Ear Cushions

UH38 is well-built with a sturdy-feeling design made of high-grade plastic reinforced by a metal frame. The skin-friendly material, soft memory foam, combined with the ergonomic ear-fitting design, brings you a comfortable all-day experience.



UH38 Mono Teams-W/O BAT
UH38 Mono UC-W/O BAT

Main Features

- Plug-and-play
 - USB connectivity to Yealink IP phones, including T41S/T42S/T46S/T48S/T42U/T43U/T46U/T48U/T53/T53W/T54W/T57W/T58A/VP59 (T41S/T42S/T46S/T48S should be upgraded to version 82 or higher)
- HD Voice/Wideband speaker performance
- Noise-canceling microphone and passive noise cancellation
- ActiveProtection technology safeguards users from acoustic injury
- Integrated LED indicator and warning tone
- 320° bendable boom arm for easy adjustment without breaking
- Optional connections for UH38: USB 2.0, Bluetooth 5.1
- Bluetooth wireless range: up to 10 m/33 feet

General

- Headset cable length: 0.8 m (from headset to call control unit)
- USB cable length: 1.2 m (from call control unit to USB plug)
- Supported operating systems:
 - Microsoft Windows® 8/8.1/10, Apple Mac OS
- Color: Black

- Weight(headset): UH38 Mono: 110 g / UH38 Dual: 180 g
- Weight(headset and wire-control): UH38 Mono: 133.5 g / UH38 Dual: 210 g
- Storage temperature: -5 °C to +70 °C
- Operating temperature: 0 °C to +45 °C

Battery

- Talk time: up to 7 hours (9 hours with busylight off)
- Music time: 14 hours
- Battery capacity: 200 mAh
- Bluetooth standby time: 168 hours
- Charging time: 1 hour

Microphone

- Microphone type: Uni-Directional ECM
- Microphone frequency response range: 100 Hz-14 kHz
- Microphone bandwidth: Wideband
- Microphone Sensitivity: -44.0 dB re. 1 V/Pa

Speaker

- Speaker size: 35.0 mm
- Speaker sensitivity: 115±3 dB SPL @ 1 kHz
- Speaker frequency response range: 20 Hz-20 kHz

- Speaker impedance: 32 Ω, @ 1.0 kHz
- Speaker input power: max 10 mW
- Speaker bandwidth: Wideband

Easy Call Management

- Answer/End/Reject/Hold a call
- Volume up/down
- Microphone mute
- Redial last outgoing call

Package Features

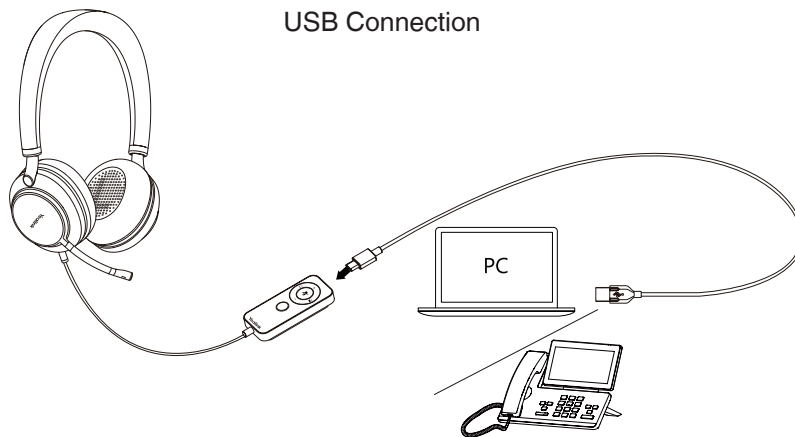
- Package contents
 - UH38 Mono Headset / UH38 Dual Headset
 - USB 2.0 Cable (USB-A to USB-C/USB-C to USB-C)
 - Carrying Case
 - Quick Start Guide
- Qty/CTN: 20 PCS
- N.W/CTN: UH38 Mono: 9.2kg / UH38 Dual: 10.94 kg
- G.W/CTN: UH38 Mono: 10.1 kg / UH38 Dual: 11.9 kg
- Giftbox size: 219 mm*186.5 mm*58.5 mm
- Carton Meas: 595 mm*380 mm*230 mm

Compliance

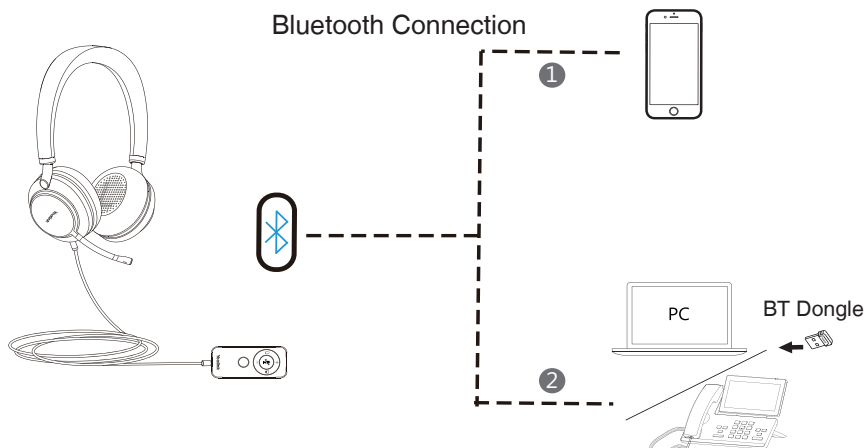


Connection

USB Connection



Bluetooth Connection



* The BT dongle needs to be purchased separately, please contact your dealer if necessary.

Product Type	SKU	Model Name
Products	1308045	UH38 Mono Teams -W/O BAT
	1308080	UH38 Mono UC -W/O BAT
	1308081	UH38 Dual Teams-BAT
	1308082	UH38 Dual UC-BAT
	1308083	UH38 Mono Teams -W/O BAT USB-C
	1308084	UH38 Mono UC -W/O BAT USB-C
	1308085	UH38 Dual Teams -BAT USB-C
	1308086	UH38 Dual UC -BAT USB-C

About Yealink

Yealink (Stock Code: 300628) is a global brand that specializes in video conferencing, voice communications and collaboration solutions with best-in-class quality, innovative technology and user-friendly experience. As one of the best providers in more than 140 countries and regions, Yealink ranks No.1 in the global market share of SIP phone shipments (Global IP Desktop Phone Growth Excellence Leadership Award Report, Frost & Sullivan, 2019).

Copyright

Copyright © 2022 YEALINK(XIAMEN) NETWORK TECHNOLOGY CO., LTD.

All rights reserved. No parts of this publication may be reproduced or transmitted in any form or by any means, electronic or mechanical, photocopying, recording, or otherwise, for any purpose, without the express written permission of Yealink(Xiamen) Network Technology CO., LTD.

Technical Support

Visit Yealink WIKI (<http://support.yealink.com/>) for firmware downloads, product documents, FAQ, and more. For better service, we sincerely recommend you to use Yealink Ticketing system (<https://ticket.yealink.com>) to submit all your technical issues.



YEALINK(XIAMEN) NETWORK TECHNOLOGY CO., LTD.
Web: www.yealink.com
Addr: No.1 Ling-Xia North Road, High Tech Park,
Huli District, Xiamen, Fujian, P.R.C
Copyright©2022 Yealink Inc. All rights reserved.