






# Installation Guide

## Yeastar S-Series VoIP PBX

Version: V1.0

Date: 2022-07-26

-  Support: +86-592-5503301
-  Support: [support@yeastar.com](mailto:support@yeastar.com)
-  <https://www.yeastar.com>

# Contents

- Installation Guide..... 1
  - Hardware Overview..... 1
    - S412 Overview..... 1
    - S412 Lite Overview..... 4
    - S20 Overview..... 6
    - S50 Overview..... 9
    - S100 Overview..... 11
    - S300 Overview..... 13
    - Expansion Board..... 16
  - Install PBX..... 17
    - Installation Warnings..... 17
    - Package Contents..... 18
    - Install Yeastar S20..... 19
    - Install Yeastar S50..... 22
    - Install Yeastar S100..... 27
    - Install Yeastar S300..... 33
    - Install Yeastar S412..... 40
    - Install Yeastar S412 Lite..... 43
  - Connect Your PBX..... 46

# Installation Guide

Installation Guide for Yeastar S-Series VoIP PBX.

## About this guide

This guide describes hardware ports and indicators on the Yeastar S-Series VoIP PBX, and give instructions on how to install the PBX and telephony modules.

### ! Important:

The Yeastar S-Series VoIP PBX V4.0 is only for commercial or industrial use, NOT for domestic use.

## Hardware Overview

### S412 Overview

#### Front Panel

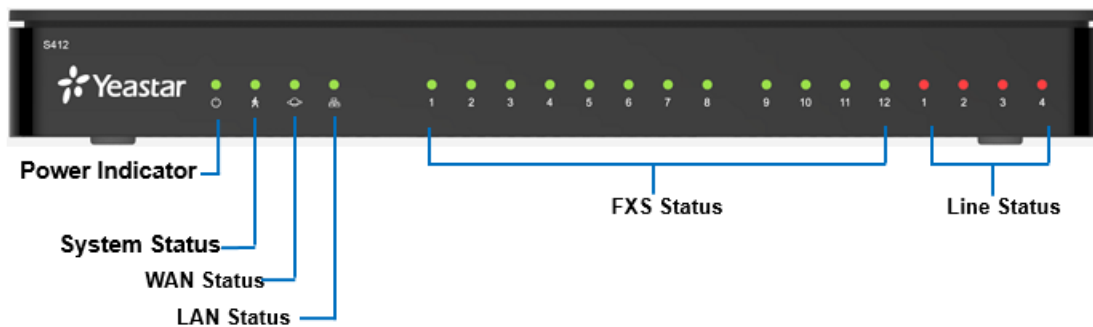


Table 1. Descriptions of S412 Front Panel

| LED    | Indication    | Status     | Description                     |
|--------|---------------|------------|---------------------------------|
| POWER  | Power status  | On         | The power is switched on.       |
|        |               | Off        | The power is switched off.      |
| SYSTEM | System status | Blinking   | The system is running properly. |
|        |               | Static/Off | The system goes wrong.          |
| WAN    | WAN status    | Static     | Linked normally.                |
|        |               | Blinking   | In communication.               |

Table 1. Descriptions of S412 Front Panel (continued)

| LED                  | Indication         | Status                | Description                                |
|----------------------|--------------------|-----------------------|--|
|                      |                    | Off                   | Off-line.                                  |
| LAN                  | LAN status         | Static                | Linked normally.                           |
|                      |                    | Blinking              | In communication.                          |
|                      |                    | Off                   | Off-line.                                  |
| 1-4<br>(Line status) | GSM/3G/4G          | Red: static           | The GSM/3G/4G Trunk is idle.               |
|                      |                    | Red: blinking slowly  | No SIM card.                               |
|                      |                    | Red: blinking rapidly | The GSM/3G/4G trunk is in use.             |
|                      | BRI                | Orange: blinking      | The BRI line is disconnected.              |
|                      |                    | Orange: static        | The BRI line is connected or in use.       |
|                      | FXO                | Red: static           | The PSTN line is idle.                     |
|                      |                    | Red: blinking slowly  | No PSTN line is connected to the FXO port. |
|                      |                    | Red: blinking rapidly | The PSTN line is busy.                     |
|                      | 1-12<br>(FXS port) | FXS                   | Green: static                              |
| Green: blinking      |                    |                       | The analog phone is busy.                  |

### Rear Panel

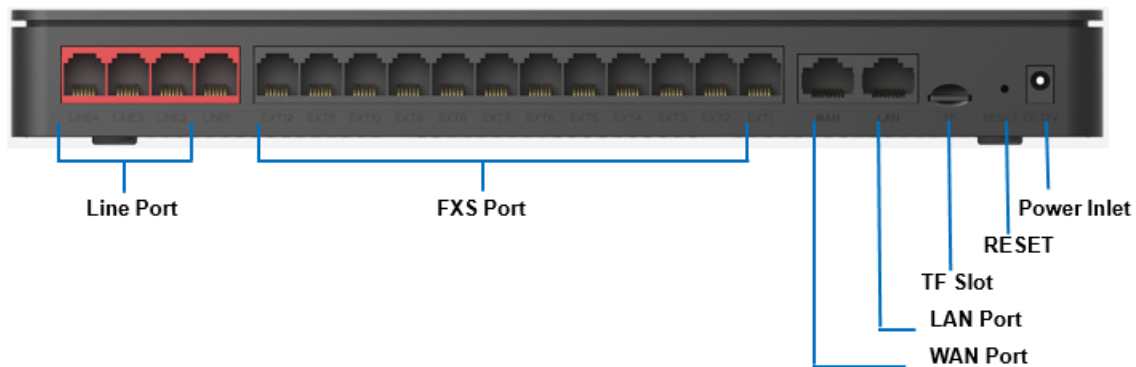




Table 2. Descriptions of S412 Rear Panel

| Port                | Description   |
|---------------------|---|
| RJ11<br>(Line port) | <ul style="list-style-type: none"> <li>• FXO port (red light): For the connection of PSTN lines or FXS ports of traditional PBX.</li> <li>• BRI port (orange light): For the connection of ISDN BRI lines.</li> </ul> <div style="border: 1px solid #add8e6; padding: 5px; margin-top: 10px;"> <p> Note:<br/>The sequence number of the ports corresponds to the indicators in the front panel.</p> </div> |
| RJ11<br>(FXS port)  | <ul style="list-style-type: none"> <li>• FXS port (green light): For the connection of analog phones.</li> </ul> <div style="border: 1px solid #add8e6; padding: 5px; margin-top: 10px;"> <p> Note:<br/>The sequence number of the ports corresponds to the indicators in the front panel.</p> </div>  |
| WAN/LAN             | <p>Yeastar S412 provides two 10/100Mbps adaptive RJ45 Ethernet ports, and supports 3 Ethernet modes. The default mode is "Single".</p> <ul style="list-style-type: none"> <li>• Single: LAN port will be used for uplink connection. WAN port is disabled.</li> <li>• Bridge: LAN port will be used for uplink connection. WAN port will be used as bridge for PC connection.</li> <li>• Dual: Both LAN and WAN ports can be used for uplink connection.</li> </ul>                         |
| TF Slot             | Insert TF card to store auto recording files.   |
| Reset Button        | Press and hold for 10 seconds to restore the factory defaults.  |
| Power Inlet         | Connect the supplied power supply to the port.  |

## S412 Lite Overview

### Front Panel

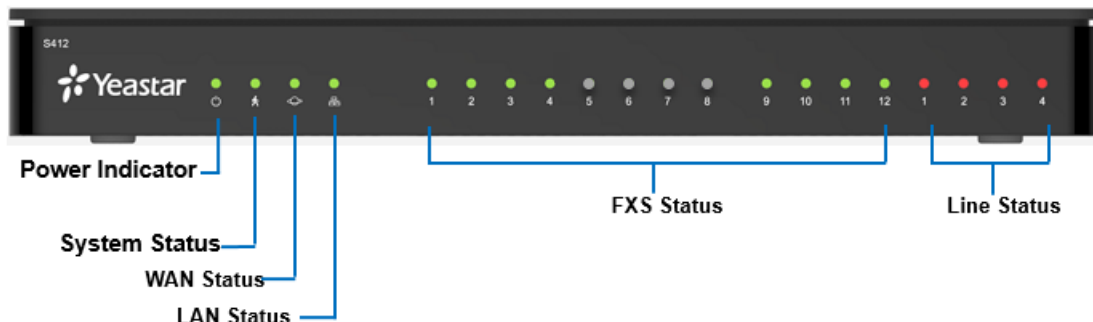


Table 3. Descriptions of S412 Lite Front Panel

| LED                  | Indication    | Status          | Description                     |
|----------------------|---------------|-----------------|---------------------------------|
| POWER                | Power status  | On              | The power is switched on.       |
|                      |               | Off             | The power is switched off.      |
| SYSTEM               | System status | Blinking        | The system is running properly. |
|                      |               | Static/Off      | The system goes wrong.          |
| WAN                  | WAN status    | Static          | Linked normally.                |
|                      |               | Blinking        | In communication.               |
|                      |               | Off             | Off-line.                       |
| LAN                  | LAN status    | Static          | Linked normally.                |
|                      |               | Blinking        | In communication.               |
|                      |               | Off             | Off-line.                       |
| 1-12<br>(FXS status) | FXS           | Green: static   | The analog phone is idle.       |
|                      |               | Green: blinking | The analog phone is busy.       |

Troubleshooting:  
[Why indicators 5-8 do not work?](#)

Table 3. Descriptions of S412 Lite Front Panel (continued)

| LED                  | Indication | Status                | Description                                |
|----------------------|------------|-----------------------|--|
| 1-4<br>(Line status) | GSM/3G/4G  | Red: static           | The GSM/3G/4G Trunk is idle.               |
|                      |            | Red: blinking slowly  | No SIM card.                               |
|                      |            | Red: blinking rapidly | The GSM/3G/4G trunk is in use.             |
|                      | BRI        | Orange: blinking      | The BRI line is disconnected.              |
|                      |            | Orange: static        | The BRI line is connected or in use.       |
|                      | FXO        | Red: static           | The PSTN line is idle.                     |
|                      |            | Red: blinking slowly  | No PSTN line is connected to the FXO port. |
|                      |            | Red: blinking rapidly | The PSTN line is busy.                     |

## Rear Panel

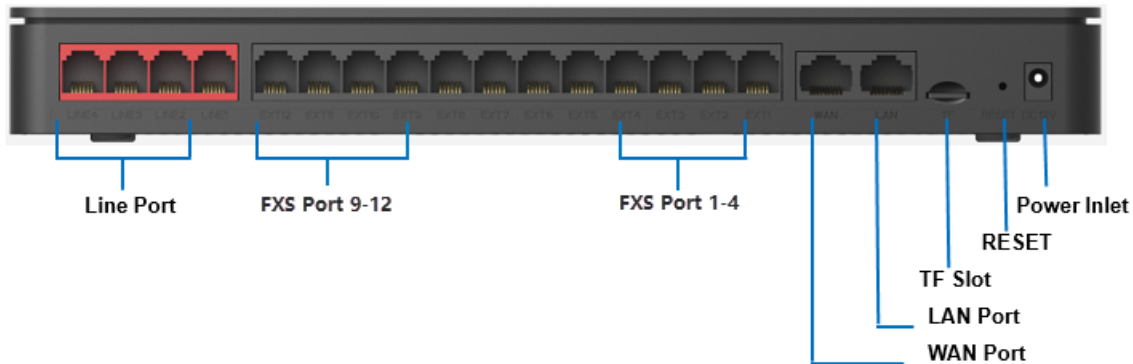


Table 4. Descriptions of S412 Lite Rear Panel


| Port      | Description  |
|-----------|--|
| Line port | <ul style="list-style-type: none"> <li>• FXO port: For the connection of PSTN lines or FXS ports of traditional PBX.</li> <li>• BRI port: For the connection of ISDN BRI lines.</li> </ul> |
|           | <p> Note:</p>   |

Table 4. Descriptions of S412 Lite Rear Panel (continued)

| Port         | Description   |
|--------------|---|
|              | The sequence number of the ports corresponds to the indicators in the front panel.  |
| FXS port     | <ul style="list-style-type: none"> <li>FXS port: For the connection of analog phones.</li> </ul> <div style="border: 1px solid black; padding: 5px; margin-top: 10px;"> <p><b>Note:</b></p> <ul style="list-style-type: none"> <li>The sequence number of the ports corresponds to the indicators in the front panel.</li> <li>Yeastar S412 Lite supports up to 8 FXS ports, including 4 fixed FXS ports (1-4) and 4 customizable FXS ports (9-12), therefore ports 5-8 and their indicators will not work.</li> </ul> </div> |
| WAN/LAN      | <p>Yeastar S412 Lite provides two 10/100Mbps adaptive RJ45 Ethernet ports, and supports 3 Ethernet modes. The default mode is "Single".</p> <ul style="list-style-type: none"> <li>Single: LAN port will be used for uplink connection. WAN port is disabled.</li> <li>Bridge: LAN port will be used for uplink connection. WAN port will be used as bridge for PC connection.</li> <li>Dual: Both LAN and WAN ports can be used for uplink connection.</li> </ul>  |
| TF Slot      | Insert TF card to store auto recording files.   |
| Reset Button | Press and hold for 10 seconds to restore the factory defaults.  |
| Power Inlet  | Connect the supplied power supply to the port.  |

## S20 Overview

### Front Panel

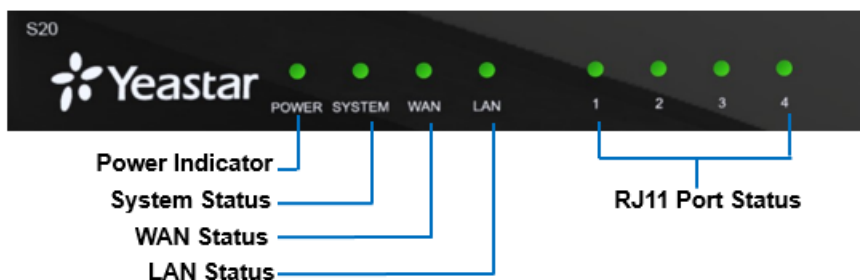




Table 5. Descriptions of S20 Front Panel

| LED                         | Indi-<br>cation  | Status                   | Description                                   |
|-----------------------------|------------------|--------------------------|---|
| POWER                       | Power<br>status  | On                       | The power is switched on.                     |
|                             |                  | Off                      | The power is switched off.                    |
| SYSTEM                      | System<br>status | Blinking                 | The system is running properly.               |
|                             |                  | Static/Off               | The system goes wrong.                        |
| WAN                         | WAN<br>status    | Static                   | Linked normally.                              |
|                             |                  | Blinking                 | In communication.                             |
|                             |                  | Off                      | Off-line.                                     |
| LAN                         | LAN sta-<br>tus  | Static                   | Linked normally.                              |
|                             |                  | Blinking                 | In communication.                             |
|                             |                  | Off                      | Off-line.                                     |
| 1-4<br>(Telephony<br>ports) | FXS              | Green: static            | The analog phone is idle.                     |
|                             |                  | Green: blinking          | The analog phone is busy.                     |
|                             | GSM/3G/4G        | Red: static              | The GSM/3G/4G Trunk is idle.                  |
|                             |                  | Red: blinking<br>slowly  | No SIM card.                                  |
|                             |                  | Red: blinking<br>rapidly | The GSM/3G/4G trunk is in use.                |
|                             | BRI              | Orange: blinking         | The BRI line is disconnected.                 |
|                             |                  | Orange: static           | The BRI line is connected or in use.          |
|                             | FXO              | Red: static              | The PSTN line is idle.                        |
|                             |                  | Red: blinking<br>slowly  | No PSTN line is connected to the FXO<br>port. |
|                             |                  | Red: blinking<br>rapidly | The PSTN line is busy.                        |

## Rear Panel

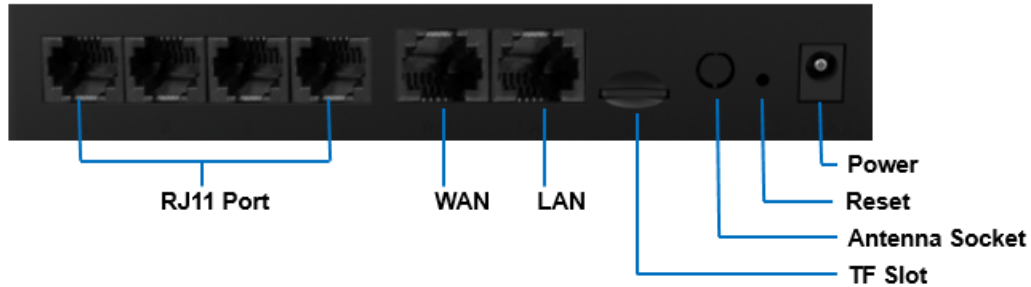



Table 6. Descriptions of S20 Rear Panel

| Port           | Description   |
|----------------|---|
| RJ11           | <ul style="list-style-type: none"> <li>• FXO port (red light): For the connection of PSTN lines or FXS ports of traditional PBX.</li> <li>• FXS port (green light): For the connection of analog phones.</li> <li>• BRI port (orange light): For the connection of ISDN BRI lines.</li> </ul> <div style="border: 1px solid black; padding: 5px; margin-top: 10px;"> <p> Note:<br/>The sequence number of the ports corresponds to that of the Indicator lights in the front panel. (I.e. the LED lights in the front indicate the connection status of the corresponding ports at the back panel.)</p> </div> |
| WAN/LAN        | <p>Yeastar S20 provides two 10/100Mbps adaptive RJ45 Ethernet ports, and supports 3 Ethernet modes. The default mode is “Single”.</p> <ul style="list-style-type: none"> <li>• Single: LAN port will be used for uplink connection. WAN port is disabled.</li> <li>• Bridge: LAN port will be used for uplink connection. WAN port will be used as bridge for PC connection.</li> <li>• Dual: Both LAN and WAN ports can be used for uplink connection.</li> </ul>  |
| TF Slot        | Insert TF card to store auto recording files.   |
| Antenna Socket | Rotate the antenna into the Antenna Socket.   |
| Reset Button   | Press and hold for 10 seconds to restore the factory defaults.  |
| Power Inlet    | Connect the supplied power supply to the port.  |

# S50 Overview

## Front Panel

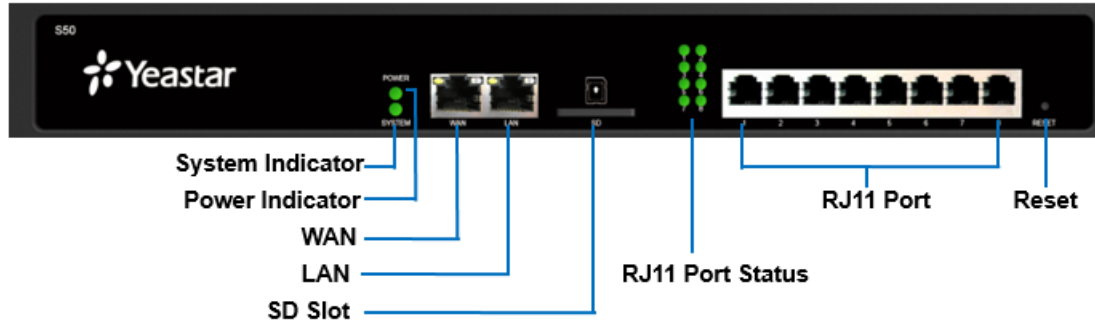


Table 7. Descriptions of S50 Front Panel

| LED                           | Indication    | Status                | Description                                |  |
|-------------------------------|---------------|-----------------------|--|--|
| POWER                         | Power status  | On                    | The power is switched on.                  |  |
|                               |               | Off                   | The power is switched off.                 |  |
| SYSTEM                        | System status | Blinking              | The system is running properly.            |  |
|                               |               | Static/Off            | The system goes wrong.                     |  |
| 1-8 LED<br>(RJ11 port status) | FXS           | Green: static         | The analog phone is idle.                  |  |
|                               |               | Green: blinking       | The analog phone is busy.                  |  |
|                               | GSM/3G/4G     | Red: static           | The GSM/3G/4G Trunk is idle.               |  |
|                               |               | Red: blinking slowly  | No SIM card.                               |  |
|                               |               | Red: blinking rapidly | The GSM/3G/4G trunk is in use.             |  |
|                               | BRI           | Orange: blinking      | The BRI line is disconnected.              |  |
|                               |               | Orange: static        | The BRI line is connected or in use.       |  |
|                               | FXO           | Red: static           | The PSTN line is idle.                     |  |
|                               |               | Red: blinking slowly  | No PSTN line is connected to the FXO port. |  |
|                               |               | Red: blinking rapidly | The PSTN line is busy.                     |  |
|                               | Port          | Description           |  |  |

Table 7. Descriptions of S50 Front Panel (continued)

| LED                  | Indication  | Status | Description |
|----------------------|---|--------|-------------|
| WAN/LAN              | Yeastar S50 provides two 10/100/1000Mbps adaptive RJ45 Ethernet ports, and supports 3 Ethernet modes. The default mode is "Single". <ul style="list-style-type: none"> <li>• Single: LAN port will be used for uplink connection. WAN port is disabled.</li> <li>• Bridge: LAN port will be used for uplink connection. WAN port will be used as bridge for PC connection.</li> <li>• Dual: Both LAN and WAN ports can be used for uplink connection.</li> </ul>  |        |             |
| SD                   | Insert SD card to store auto recording files.   |        |             |
| 1-8 Port (RJ11 port) | <ul style="list-style-type: none"> <li>• FXO port(red light): For the connection of PSTN lines or FXS ports of traditional PBX.</li> <li>• FXS port (green light): For the connection of analog phones.</li> <li>• BRI port (orange light): For the connection of ISDN BRI lines.</li> </ul> <div style="border: 1px solid black; padding: 5px; margin-top: 10px;"> <p><b>Note:</b><br/>The sequence number of the ports corresponds to that of the Indicator lights in the front panel. (I.e. the LED lights in the front indicate the connection status of the corresponding ports at the back panel.)</p> </div> |        |             |
| Reset button         | Press and hold for 10 seconds to restore the factory defaults.  |        |             |

## Rear Panel

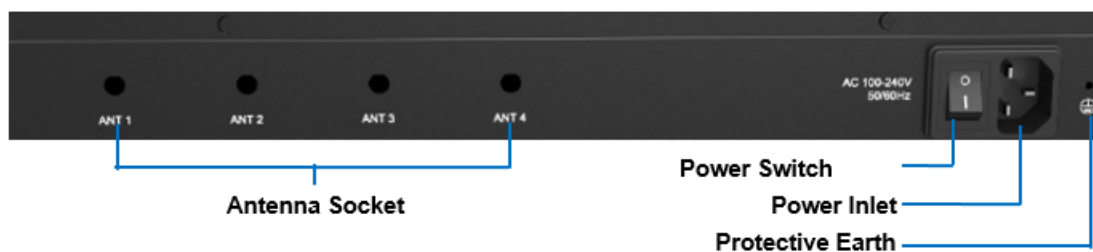


Table 8. Descriptions of S50 Rear Panel

| Port           | Description                                    |
|----------------|--|
| Antenna Socket | Rotate the antenna into the Antenna Socket.    |
| Power Switch   | Press this button to switch on/off the device. |

Table 8. Descriptions of S50 Rear Panel (continued)

| Port             | Description  |
|------------------|--|
| Power Inlet      | Connect the supplied power supply to the port.   |
| Protective Earth | Connect to the ground to reduce the risk of electrocution to the user or protect the PBX from the bad effects of external noise in the case of a lightning strike. |

## S100 Overview

### Front Panel (1\*EX30 + 1\*EX08)



Table 9. Descriptions of S100 Front Panel


| Port                      | Description  |                      |                              |
|---------------------------|--|----------------------|------------------------------|
| E1/T1                     | Connect the E1/T1 line.  |                      |                              |
| 1-8 Port<br>(RJ11 port)   | <ul style="list-style-type: none"> <li>• FXO port (red light): For the connection of PSTN lines or FXS ports of traditional PBX.</li> <li>• FXS port (green light): For the connection of analog phones.</li> <li>• BRI port (orange light): For the connection of ISDN BRI lines.</li> </ul> <div style="border: 1px solid black; padding: 5px; margin-top: 10px;"> <p> <b>Note:</b><br/>The sequence number of the ports corresponds to that of the Indicator lights in the front panel. (i.e. the LED lights in the front indicate the connection status of the corresponding ports at the back panel.)</p> </div> |                      |                              |
| LED                       | Indication   | Status               | Description                  |
| 1-8<br>(RJ11 port status) | FXS  | Green: static        | The analog phone is idle.    |
|                           |  | Green: blinking      | The analog phone is busy.    |
|                           | GSM/3G/4G  | Red: static          | The GSM/3G/4G Trunk is idle. |
|                           |  | Red: blinking slowly | No SIM card.                 |

Table 9. Descriptions of S100 Front Panel (continued)

| Port | Description |                       |  |
|------|-------------|-----------------------|--|
|      | BRI         | Red: blinking rapidly | The GSM/3G/4G trunk is in use.             |
|      |             | Orange: blinking      | The BRI line is disconnected.              |
|      |             | Orange: static        | The BRI line is connected or in use.       |
|      | FXO         | Red: static           | The PSTN line is idle.                     |
|      |             | Red: blinking slowly  | No PSTN line is connected to the FXO port. |
|      |             | Red: blinking rapidly | The PSTN line is busy.                     |

Rear Panel

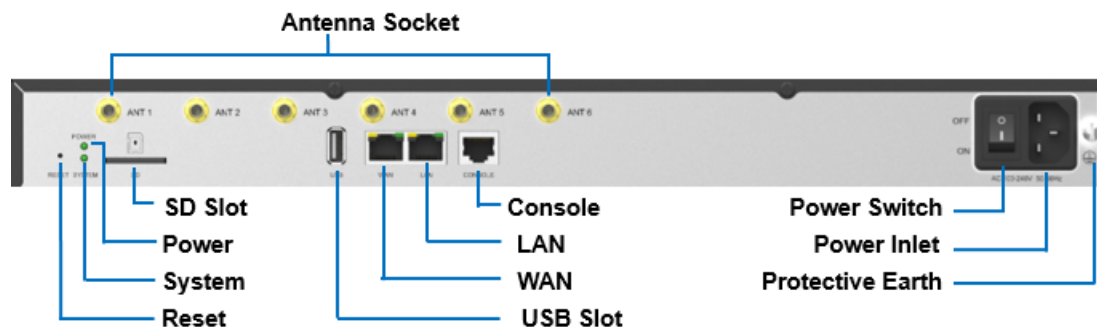


Table 10. Descriptions of S100 Rear Panel

| LED     | Indication  | Status     | Description                     |
|---------|---|------------|---------------------------------|
| POWER   | Power status  | On         | The power is switched on.       |
|         |   | Off        | The power is switched off.      |
| SYSTEM  | System status   | Blinking   | The system is running properly. |
|         |   | Static/Off | The system goes wrong.          |
| Port    | Description   |            |                                 |
| WAN/LAN | Yeastar S100 provides two 10/100/1000Mbps adaptive RJ45 Ethernet ports, and supports 3 Ethernet modes. The default mode is "Single". <ul style="list-style-type: none"> <li>• Single: LAN port will be used for uplink connection. WAN port is disabled.</li> <li>• Bridge: LAN port will be used for uplink connection. WAN port will be used as bridge for PC connection.</li> <li>• Dual: Both LAN and WAN ports can be used for uplink connection.</li> </ul> |            |                                 |

Table 10. Descriptions of S100 Rear Panel (continued)

| LED              | Indication   | Status | Description |
|------------------|--|--------|-------------|
| SD               | Insert SD card to store auto recording files.  |        |             |
| Reset button     | Press and hold for 10 seconds to restore the factory defaults.   |        |             |
| USB              | Insert USB device to store auto recording files.   |        |             |
| Console          | Connect RS232 line to debug the system.  |        |             |
| Power Switch     | Press this button to switch on/off the device.   |        |             |
| Power Inlet      | Connect the supplied power supply to the port.   |        |             |
| Protective Earth | Connect to the ground to reduce the risk of electrocution to the user or protect the PBX from the bad effects of external noise in the case of a lightning strike. |        |             |
| Antenna Socket   | Rotate the antenna into the Antenna Socket.  |        |             |

## S300 Overview

### Front Panel (1\*EX30 + 2\*EX08)

#### Note:

Yeastar S300 V4.0 only supports 2 expansion boards. You can install EX08 board or EX30 board according to your needs.

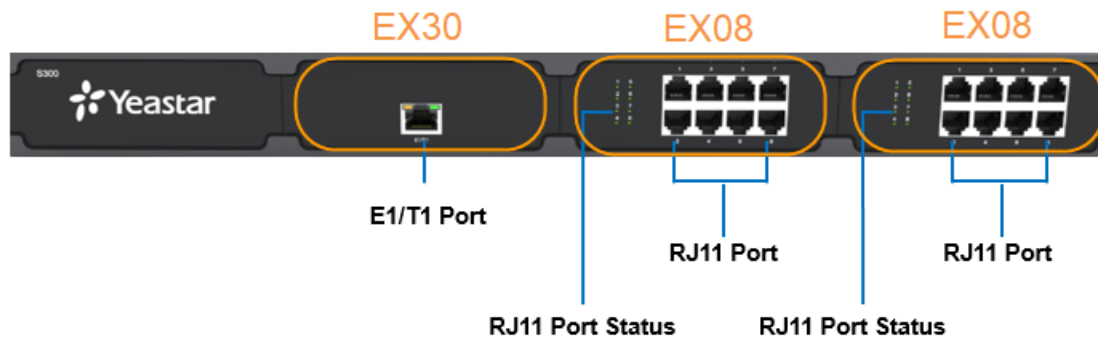



Table 11. Descriptions of 3100 Front Panel

| Port  | Description             |
|-------|-------------------------|
| E1/T1 | Connect the E1/T1 line. |

Table 11. Descriptions of 3100 Front Panel (continued)

| Port                         | Description  |                          |  |
|------------------------------|--|--------------------------|--|
| 1-8 Port<br>(RJ11 port)      | <ul style="list-style-type: none"> <li>• FXO port (red light): For the connection of PSTN lines or FXS ports of traditional PBX.</li> <li>• FXS port (green light): For the connection of analog phones.</li> <li>• BRI port (orange light): For the connection of ISDN BRI lines.</li> </ul> <div style="border: 1px solid black; padding: 5px; margin-top: 10px;"> <p> <b>Note:</b><br/>The sequence number of the ports corresponds to that of the Indicator lights in the front panel. (I.e. the LED lights in the front indicate the connection status of the corresponding ports at the back panel.)</p> </div> |                          |  |
| LED                          | Indica-<br>tion  | Status                   | Description                                |
| 1-8<br>(RJ11 port<br>status) | FXS  | Green: static            | The analog phone is idle.                  |
|                              |  | Green: blinking          | The analog phone is busy.                  |
|                              | GSM/3G/4G  | Red: static              | The GSM/3G/4G Trunk is idle.               |
|                              |  | Red: blinking<br>slowly  | No SIM card.                               |
|                              |  | Red: blinking<br>rapidly | The GSM/3G/4G trunk is in use.             |
|                              | BRI  | Orange: blinking         | The BRI line is disconnected.              |
|                              |  | Orange: static           | The BRI line is connected or in use.       |
|                              | FXO  | Red: static              | The PSTN line is idle.                     |
|                              |  | Red: blinking<br>slowly  | No PSTN line is connected to the FXO port. |
|                              |  | Red: blinking<br>rapidly | The PSTN line is busy.                     |



## Rear Panel

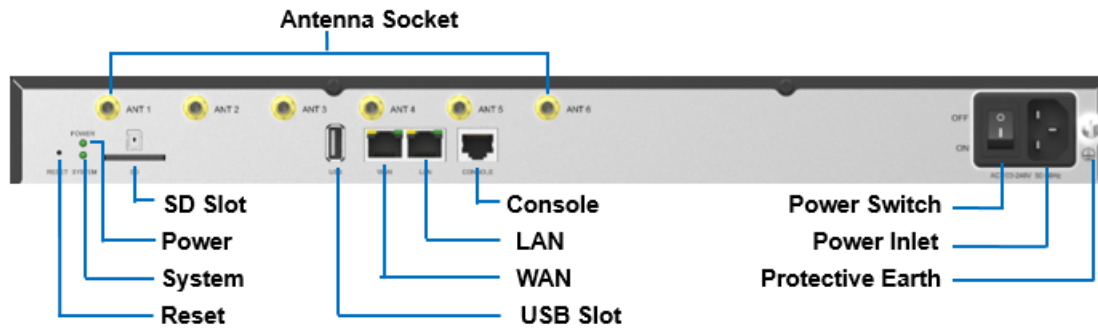


Table 12. Descriptions of S300 Rear Panel

| LED              | Indication   | Status     | Description                     |
|------------------|--|------------|---------------------------------|
| POWER            | Power status   | On         | The power is switched on.       |
|                  |  | Off        | The power is switched off.      |
| SYSTEM           | System status  | Blinking   | The system is running properly. |
|                  |  | Static/Off | The system goes wrong.          |
| Port             | Description  |            |                                 |
| WAN/LAN          | <p>Yeastar S300 provides two 10/100/1000Mbps adaptive RJ45 Ethernet ports, and supports 3 Ethernet modes. The default mode is "Single".</p> <ul style="list-style-type: none"> <li>• Single: LAN port will be used for uplink connection. WAN port is disabled.</li> <li>• Bridge: LAN port will be used for uplink connection. WAN port will be used as bridge for PC connection.</li> <li>• Dual: Both LAN and WAN ports can be used for uplink connection.</li> </ul> |            |                                 |
| SD               | Insert SD card to store auto recording files.  |            |                                 |
| Reset button     | Press and hold for 10 seconds to restore the factory defaults.   |            |                                 |
| USB              | Insert USB device to store auto recording files.   |            |                                 |
| Console          | Connect RS232 line to debug the system.  |            |                                 |
| Power Switch     | Press this button to switch on/off the device.   |            |                                 |
| Power Inlet      | Connect the supplied power supply to the port.   |            |                                 |
| Protective Earth | Connect to the ground to reduce the risk of electrocution to the user or protect the PBX from the bad effects of external noise in the case of a lightning strike.   |            |                                 |


Table 12. Descriptions of S300 Rear Panel (continued)

| LED            | Indication                                  | Status | Description |
|----------------|---|--------|-------------|
| Antenna Socket | Rotate the antenna into the Antenna Socket. |        |             |

## Expansion Board

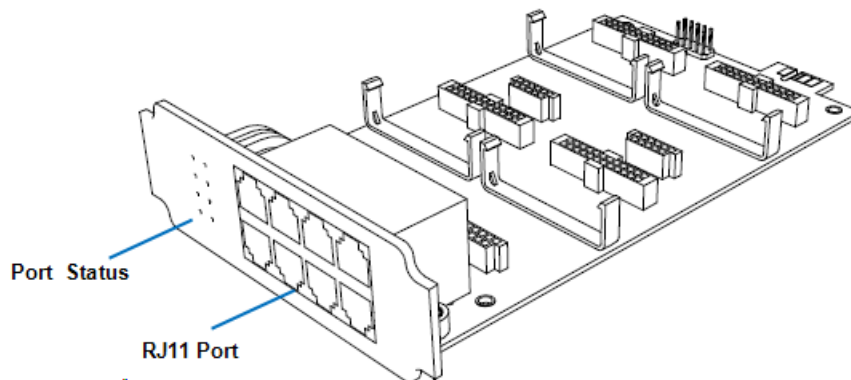
Yeastar S100 and S300 are expandable.

- S100 supports up to 2 EX08/EX30 Expansion Boards; supports 1 D30 Module.
- S300 supports up to 3 EX08/EX30 Expansion Boards; supports up to 2 D30 Modules.

 **Note:**  
S300 V4.0 supports 2 EX08/EX30 Expansion Boards; supports up to 2 D30 Modules.

### EX08 Expansion Board

EX08 board supports up to 4 modules (8 RJ11 ports).

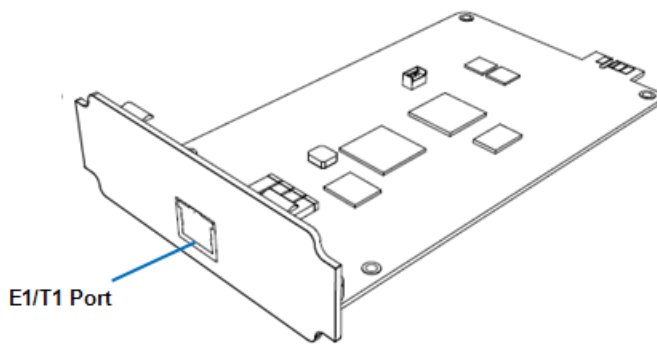


Optional modules on EX08 board

- O2 Module
- S2 Module
- S0 Module
- B2 Module
- GSM/3G/4G Module

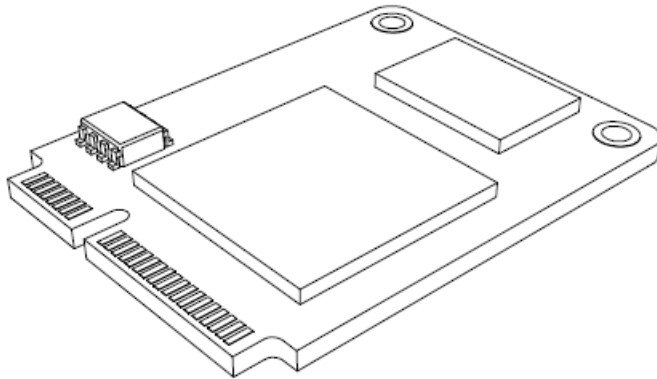
### EX30 Expansion Board

EX30 board supports 1 E1/T1 port.



## D30 Module

D30 is a DSP module, used to expand the capacity of PBX. With a D30 module added, the extensions increase 100 and concurrent calls increase 30 additionally.



# Install PBX

## Installation Warnings

To avoid unexpected accident, personal injury or device damage, read the safety disclaimers and installation warnings.

### Power Safety

- Use only the power cord or power adapter provided with the PBX.
- Keep the power off during the installation.
- Make sure that the supply voltage matches the specifications indicated on the back panel of the device.
- To avoid the electric accident, do not open or remove the cover of PBX when it is working as well as off the power.

- Before cleaning the device, cut off the power supply.

## Environment

Install the PBX in a location that is clean, free from vibration, electric shock, and temperature/humidity extremes.

The operating temperature should be kept below 104°F (40°C).

## Package Contents

Before you begin to install the PBX, check the package contents. If there is any problem, contact your provider.

### Package Contents of S20

- 1\* S20 PBX
- 1\* Power Adapter
- 1\* Ethernet Cable
- 2\* Telephony Line
- 4\* Rubber Feet
- 1\* Warranty Card
- 1\* Quick Installation Guide

### Package Contents of S50

- 1\* S50 PBX
- 1\* Power Cord
- 1\* Ethernet Cable
- 2\* Rack Mounting Kits
- 1\* Grounding Stud & Nut
- 4\* Rubber Feet
- 1\* Warranty Card
- 1\* Quick Installation Guide

### Package Contents of S100

- 1\* S100 PBX
- 1\* Power Cord
- 1\* Ethernet Cable
- 2\* Rack Mounting Kits
- 1\* Grounding Stud & Nut
- 4\* Rubber Feet
- 1\* Warranty Card
- 1\* Quick Installation Guide

## Package Contents of S300

- 1\* S300 PBX
- 1\* Power Cord
- 1\* Ethernet Cable
- 2\* Rack Mounting Kits
- 1\* Grounding Stud & Nut
- 4\* Rubber Feet
- 1\* Warranty Card
- 1\* Quick Installation Guide

## Package Contents of S412

- 1\* S412 PBX
- 1\* Power Adapter
- 1\* Ethernet Cable
- 4\* Rubber Feet
- 1\* Warranty Card
- 1\* Quick Installation Guide

## Package Contents of S412 Lite

- 1\* S412 Lite PBX
- 1\* Power Adapter
- 1\* Ethernet Cable
- 4\* Rubber Feet
- 1\* Warranty Card

## Install Yeastar S20

### Install Telephony Module

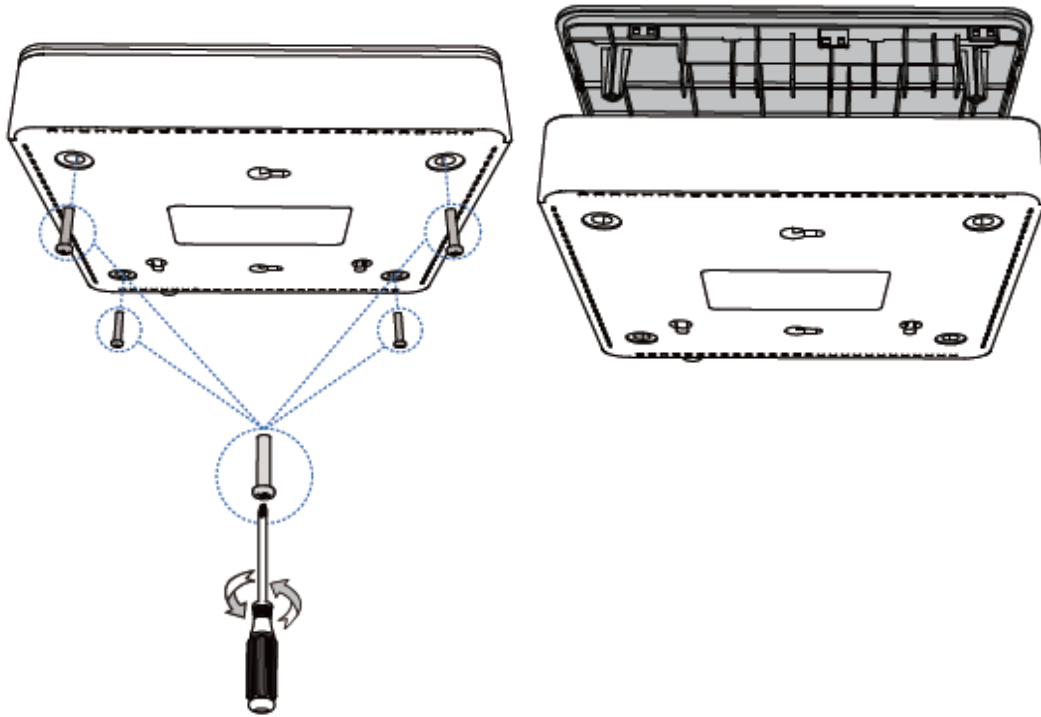
Yeastar S20 supports up to 2 modules. The optional modules are as below:

|              |             |             |             |
|--------------|-------------|-------------|-------------|
| • S2 Module  | • O2 Module | • B2 Module | • SO Module |
| • GSM Module | • 3G Module | • 4G Module |             |

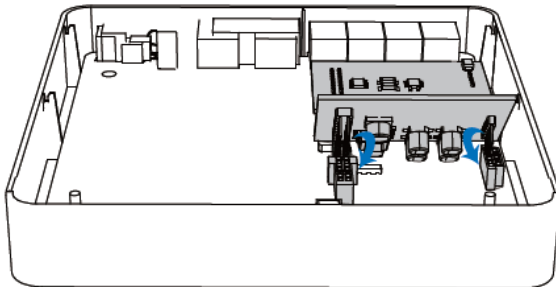
#### Note:

Before installing the module, check if the module is clean and intact.


1. Loosen the screws at the bottom of the device and remove the upper cover.

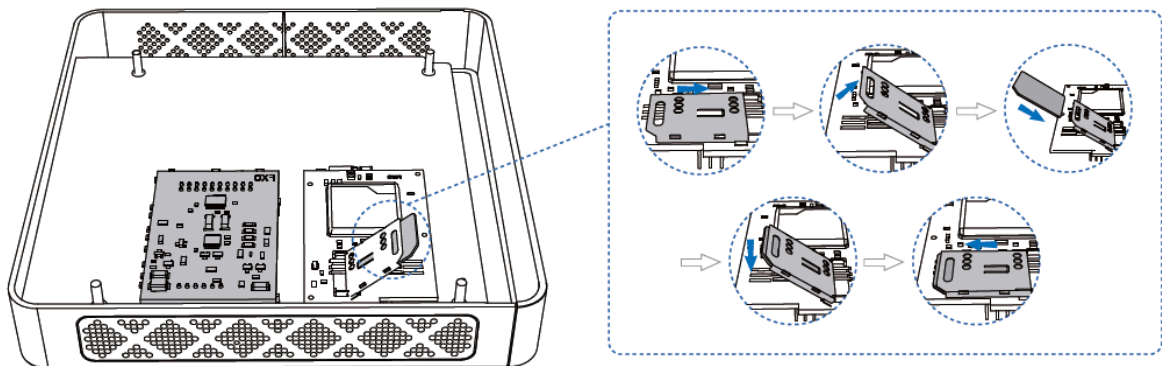


2. Insert the module to the Module Slot.

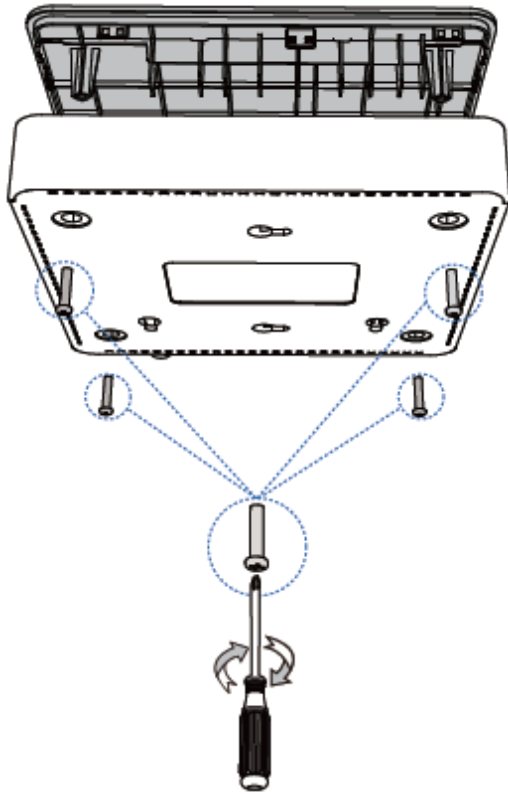


3. Follow the instructions to insert a SIM card on the GSM/3G/4G module.

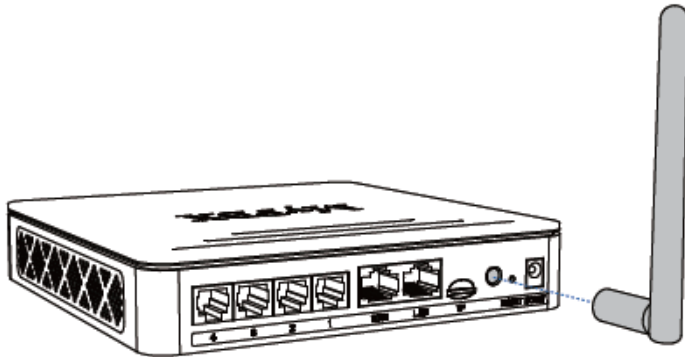
 **Note:**  
Skip this step if no GSM/3G/4G module is installed.



4. Close the cover and fix the screws.



5. Rotate the antenna into the Antenna Socket. Skip this step if no GSM/3G/4G module installed.

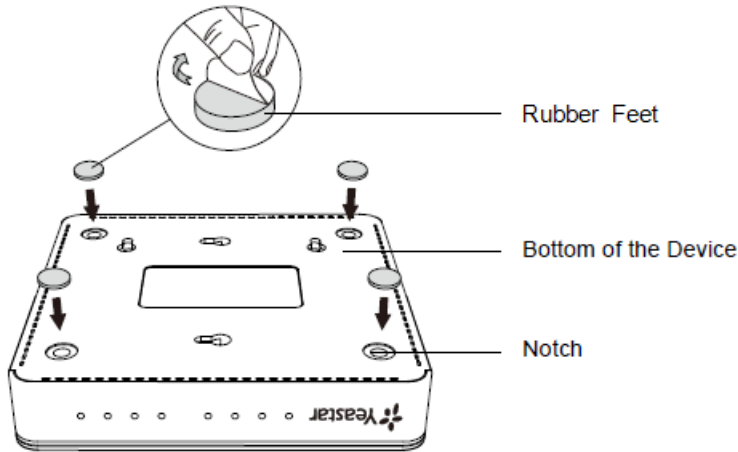


## Desktop Installation

### ⚠ CAUTION:

- Set 5~10cm gaps around the device for air circulation.
- Avoid any heavy thing placed on the device.

1. Place the PBX on a steady platform.
2. Remove the adhesive backing paper from the rubber feet.
3. Turn over the device and attach the supplied rubber feet to the recessed areas on the bottom at each corner of the device.



## Install Yeastar S50

### Install Telephony Module

Yeastar S50 supports up to 4 modules. The optional modules are as below:

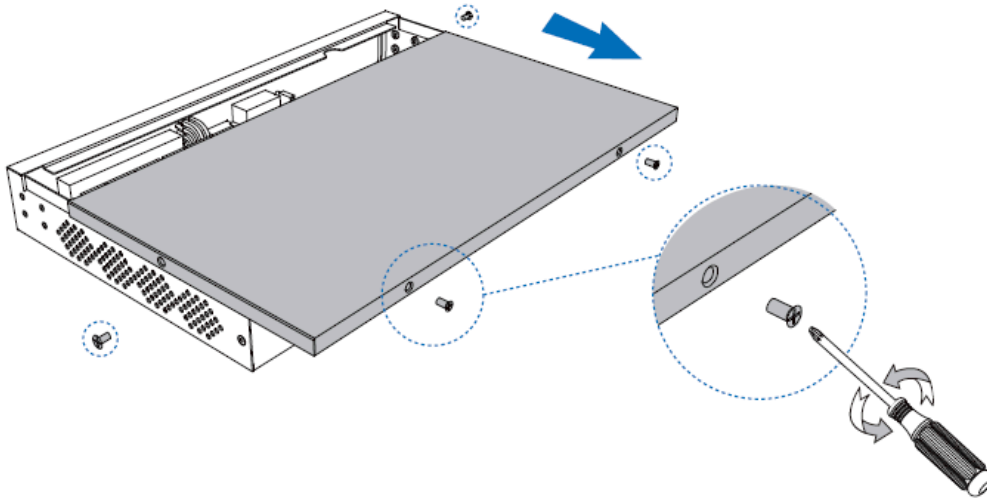
|              |             |             |             |
|--------------|-------------|-------------|-------------|
| • S2 Module  | • O2 Module | • B2 Module | • SO Module |
| • GSM Module | • 3G Module | • 4G Module |             |

#### Note:

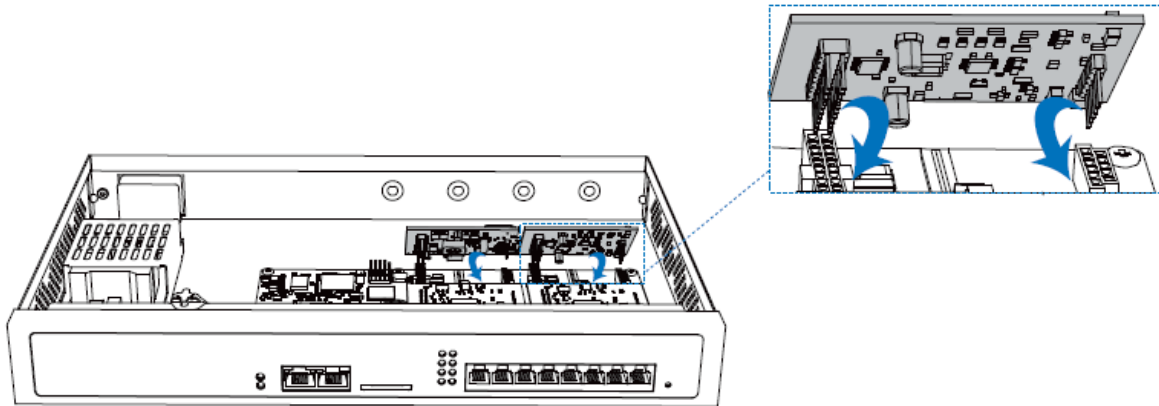
Before installing the module, check if the module is clean and intact.

1. Loosen the screws at the bottom of the device and remove the upper cover.




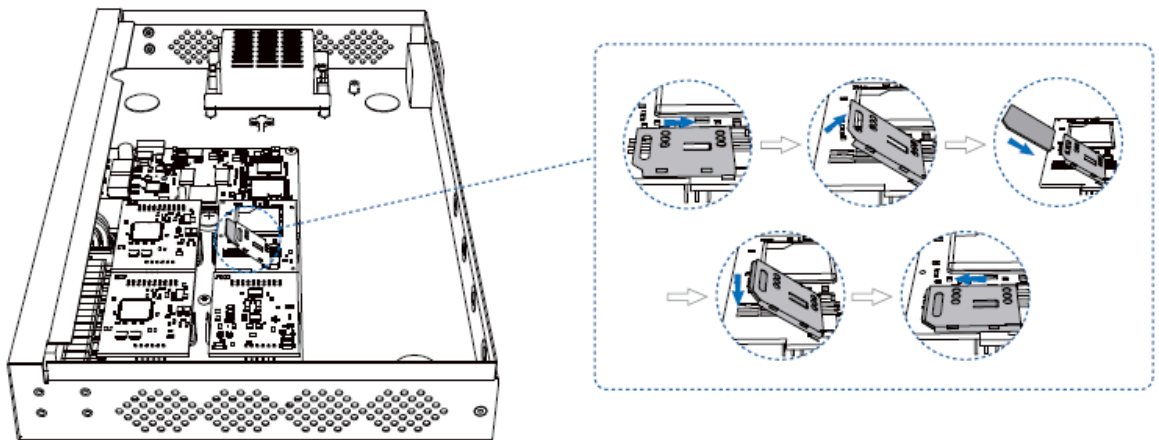


2. Insert the module to the Module Slot.

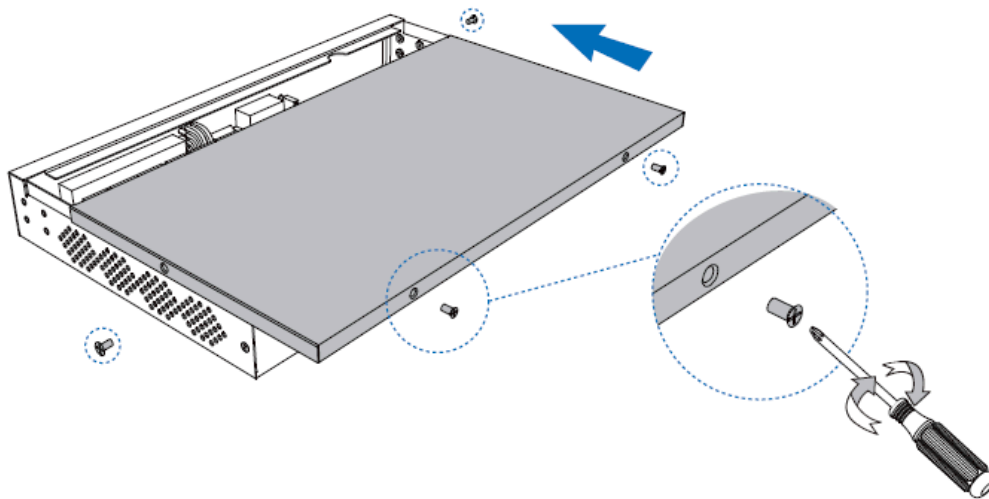


3. Follow the instructions to insert a SIM card on the GSM/3G/4G module.

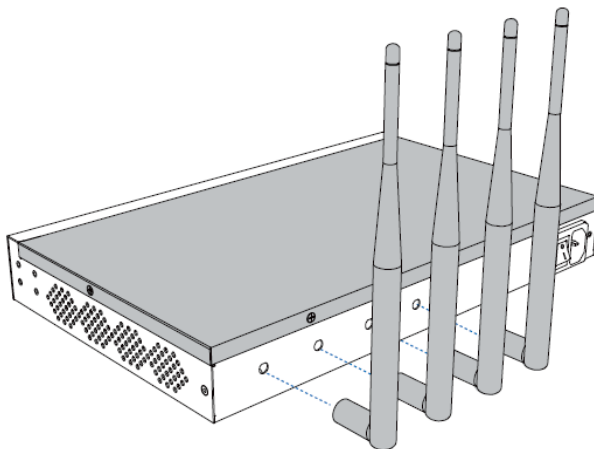
 **Note:**  
Skip this step if no GSM/3G/4G module is installed.



4. Close the cover and fix the screws.



5. Rotate the antenna into the Antenna Socket. Skip this step if no GSM/3G/4G module installed.

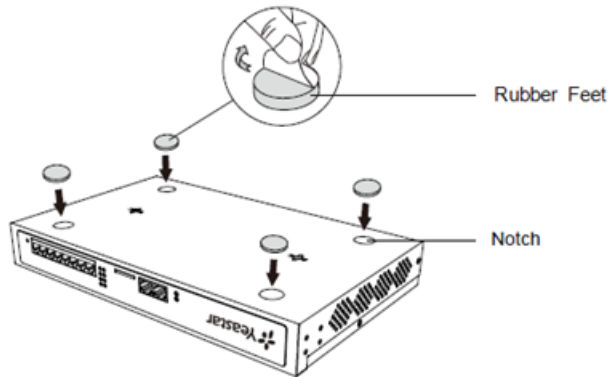


## Desktop Installation

### ⚠ CAUTION:

- Set 5~10cm gaps around the device for air circulation.
- Avoid any heavy thing placed on the device.

1. Place the PBX on a steady platform.
2. Remove the adhesive backing paper from the rubber feet.
3. Turn over the device and attach the supplied rubber feet to the recessed areas on the bottom at each corner of the device.

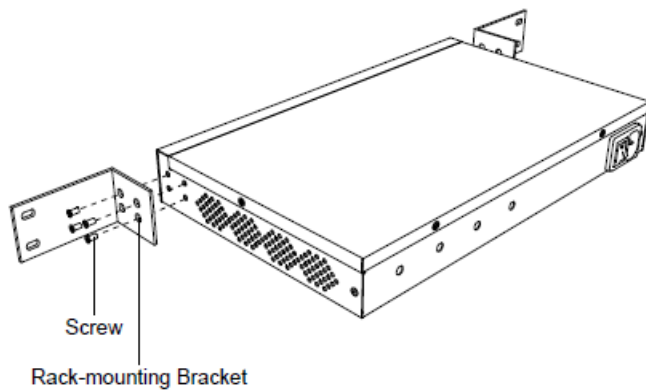


## Rack Installation

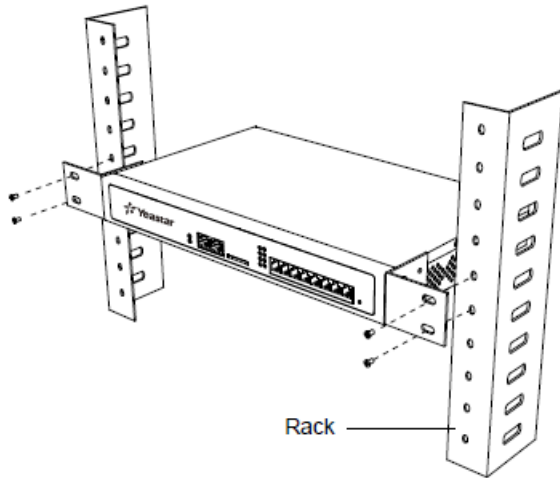
### ⚠ CAUTION:

- Be careful not to drop any components. Dropping components may damage them or cause an injury.
- Only use the 19-inch rack mounting kits (attached bracket and fittings) included with the PBX.

1. Fix the brackets to the left and right sides of the PBX with 4 screws.



2. Place the PBX in the 19-inch rack and fix both brackets to the rack with the rack's proprietary mounting equipment.

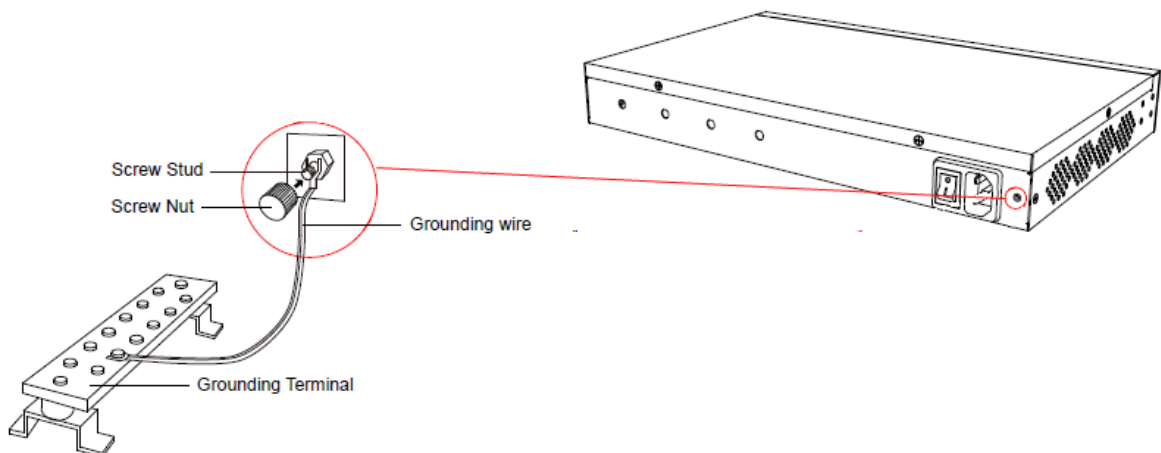


## Ground Connection

### ⚠ CAUTION:

- Proper grounding (connection to ground) is very important to reduce the risk of electrocution to the user or protect the PBX from the bad effects of external noise in the case of a lightning strike.
- A permanent connection between ground and the ground terminal of the PBX must be made.

1. Tighten the provided screw stud into the Grounding port on PBX.
2. Insert an 18AWG grounding wire (user supplied).
3. Tighten the provided screw nut.
4. Attach the grounding wire to the grounding terminal.



# Install Yeastar S100

## Install Telephony Module

Yeastar S100 supports:

- Max. 2 EX08 Expansion Board
- Max. 2 EX30 Expansion Board
- Max. 8 Telephony Module
- Max. 1 D30 Module

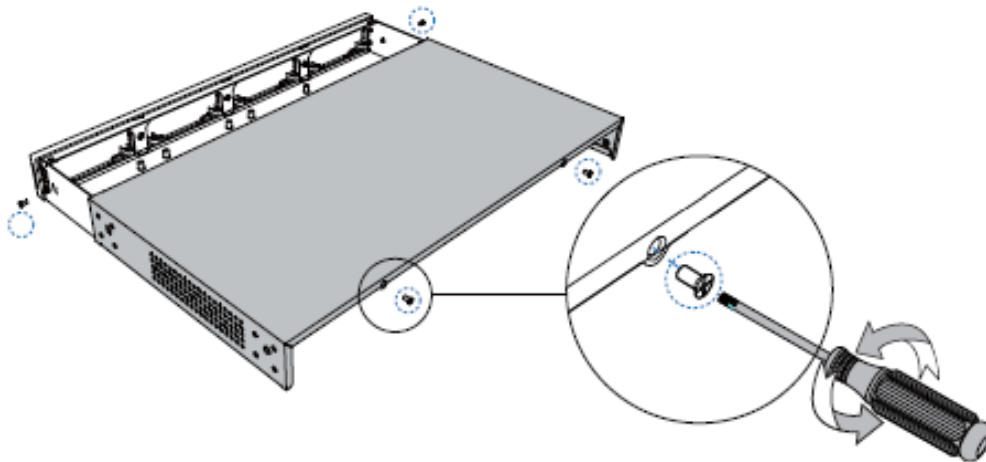
The optional telephony modules are as below:

|              |             |             |             |
|--------------|-------------|-------------|-------------|
| • S2 Module  | • O2 Module | • B2 Module | • SO Module |
| • GSM Module | • 3G Module | • 4G Module |             |

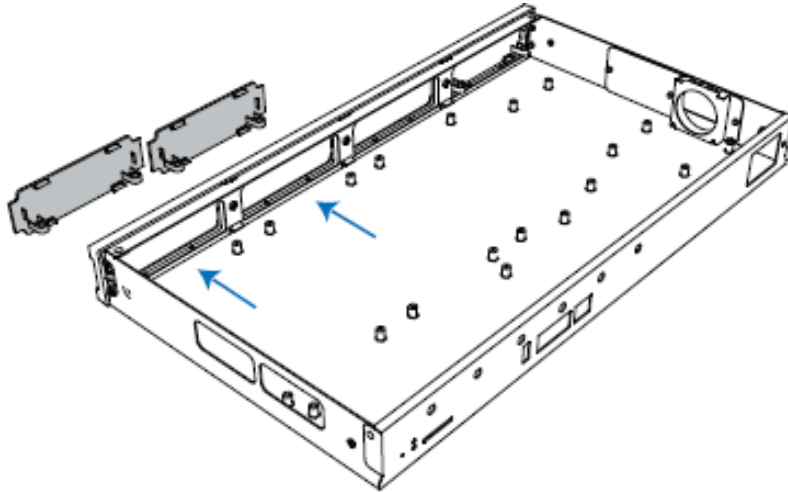
### Note:

Before installing the module, check if the module is clean and intact.

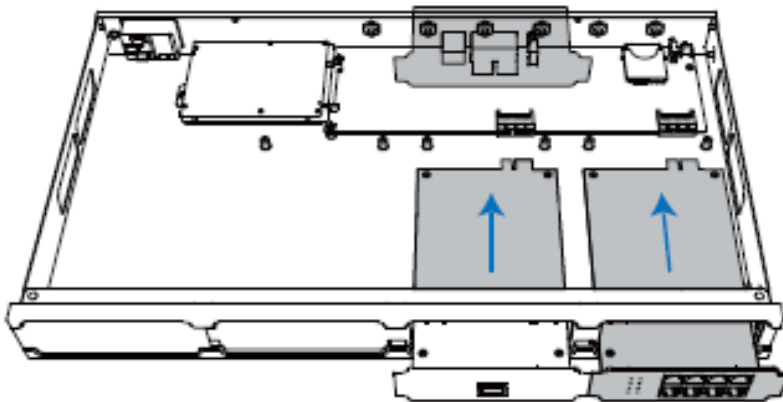
1. Loosen the screws at the bottom of the device and remove the upper cover.



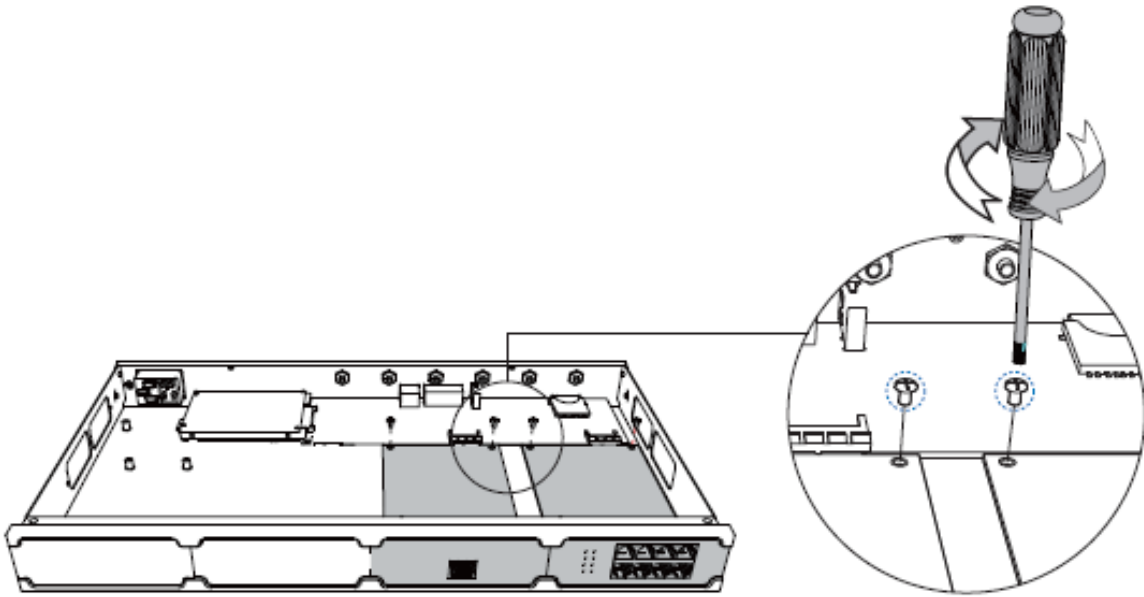
2. Push out the empty board from the inside of the device.




3. Push in the Expansion Board (EX08 or EX30).

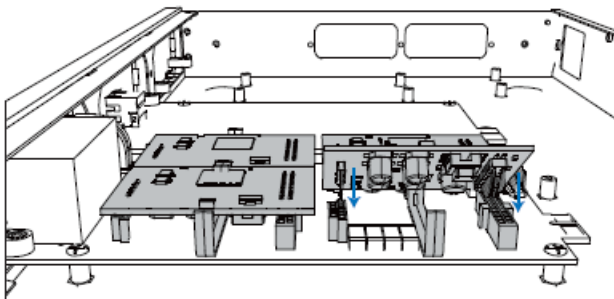


4. Lock the screws to fix the Expansion Board.




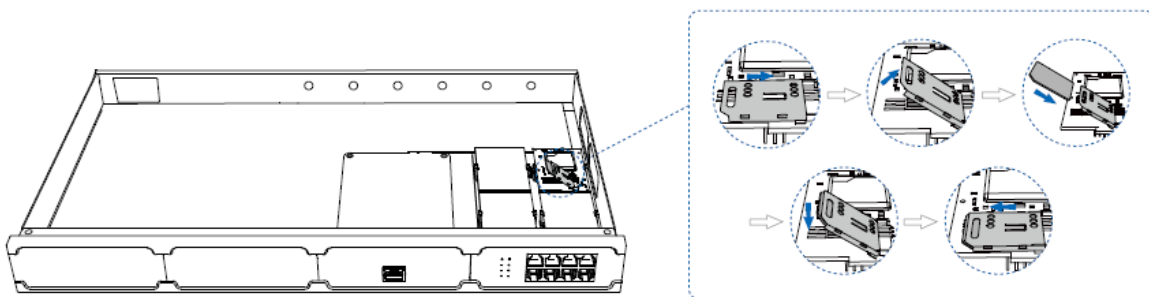
5. Insert the Telephony Modules on the EX08 Board.

 Note:  
Skip this step for EX30 Board.

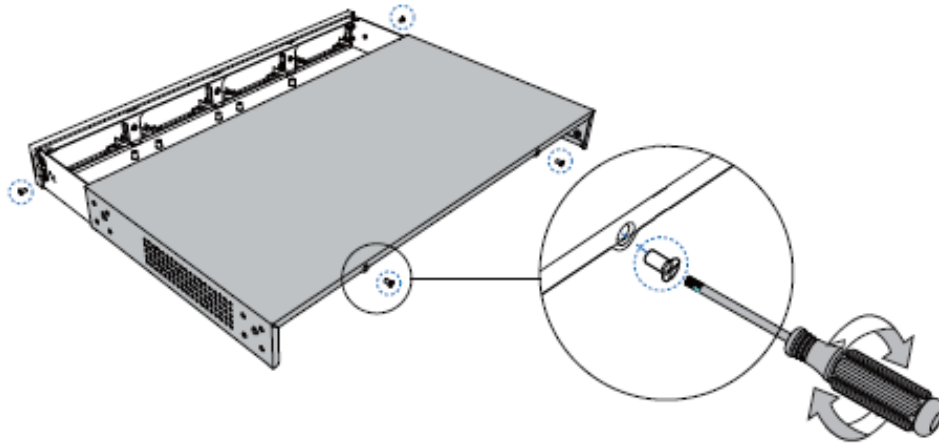


6. Follow the instructions to insert a SIM card on the GSM/3G/4G module.

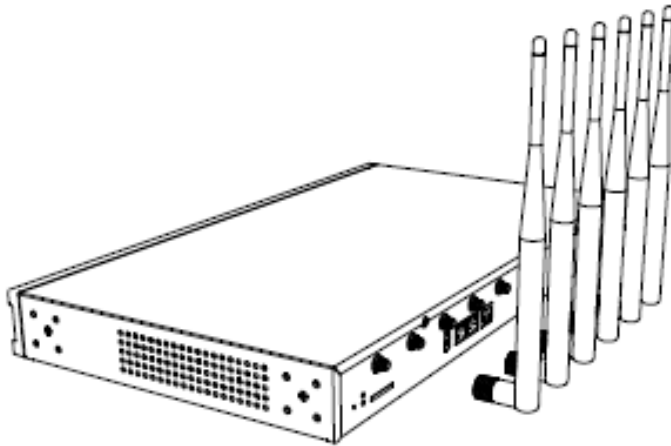
 Note:  
Skip this step if no GSM/3G/4G module is installed.



7. Close the cover and fix the screws.

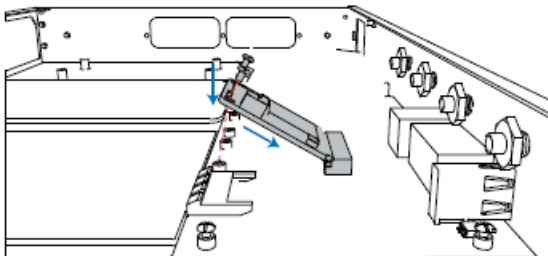


8. Rotate the antenna into the Antenna Socket. Skip this step if no GSM/3G/4G module installed.



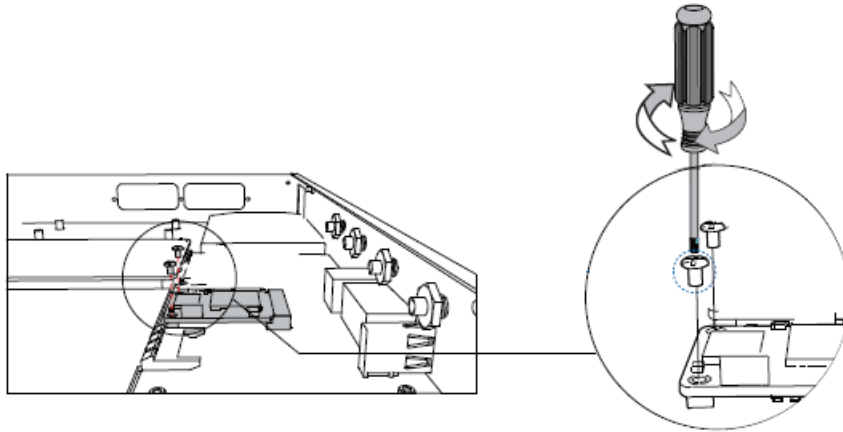
## Install DSP Module

1. Open the device upper cover and insert the DSP module (D30) into the D-Slot from a tilt angle and then press it down.



2. Lock the screws to fix the D30 module board.



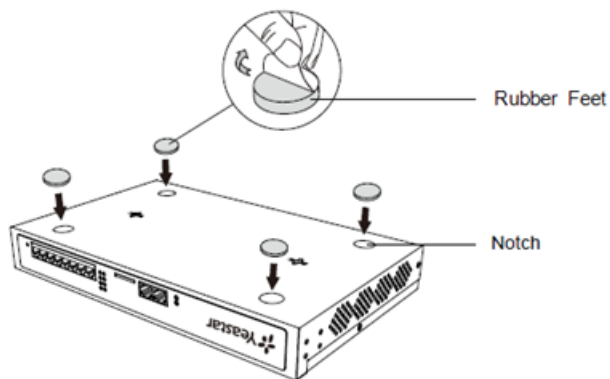


## Desktop Installation

### ⚠ CAUTION:

- Set 5~10cm gaps around the device for air circulation.
- Avoid any heavy thing placed on the device.

1. Place the PBX on a steady platform.
2. Remove the adhesive backing paper from the rubber feet.
3. Turn over the device and attach the supplied rubber feet to the recessed areas on the bottom at each corner of the device.



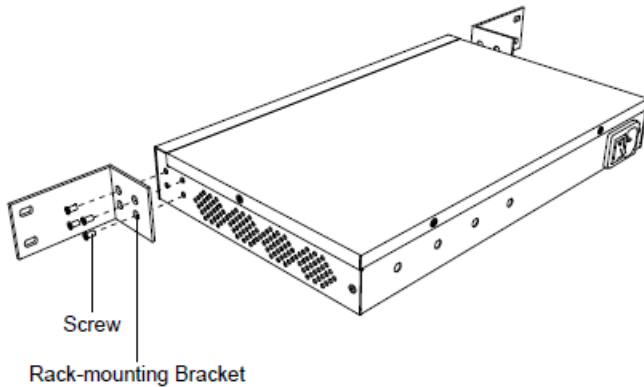
## Rack Installation

### ⚠ CAUTION:

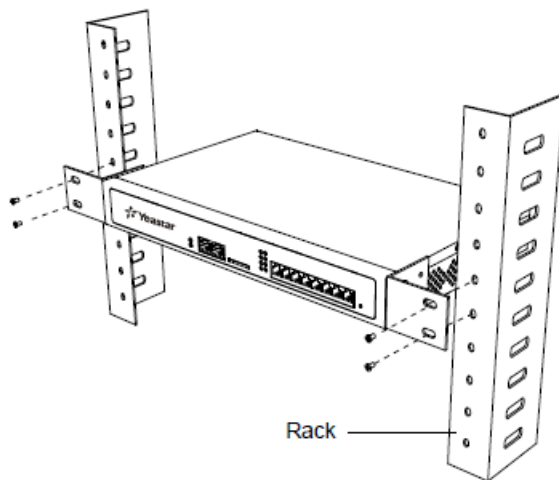
- Be careful not to drop any components. Dropping components may damage them or cause an injury.

- Only use the 19-inch rack mounting kits (attached bracket and fittings) included with the PBX.

1. Fix the brackets to the left and right sides of the PBX with 4 screws.



2. Place the PBX in the 19-inch rack and fix both brackets to the rack with the rack's proprietary mounting equipment.

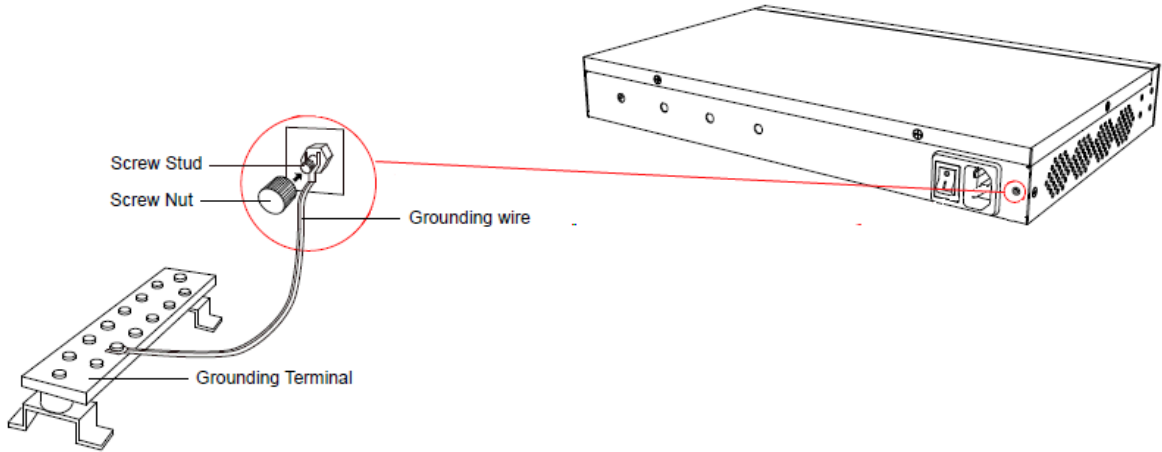


## Ground Connection

### ⚠ CAUTION:

- Proper grounding (connection to ground) is very important to reduce the risk of electrocution to the user or protect the PBX from the bad effects of external noise in the case of a lightning strike.
- A permanent connection between ground and the ground terminal of the PBX must be made.

1. Tighten the provided screw stud into the Grounding port on PBX.
2. Insert an 18AWG grounding wire (user supplied).
3. Tighten the provided screw nut.
4. Attach the grounding wire to the grounding terminal.



## Install Yeastar S300


### Install Telephony Module

Table 13.

|                      | Yeastar S300 V1.0/<br>V2.0/V3.0 | Yeastar S300 V4.0 |
|----------------------|---------------------------------|-------------------|
| EX08 Expansion Board | Max. 3                          | Max. 2            |
| EX30 Expansion Board | Max. 3                          | Max. 2            |
| Telephony Module     | Max. 12                         | Max. 8            |
| D30 Module           | Max. 2                          | Max. 2            |

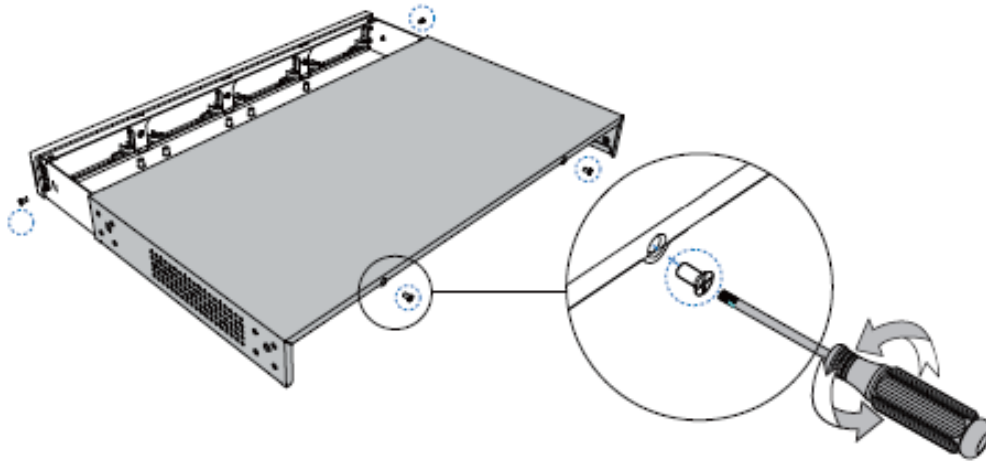
The optional telephony modules are as below:

|              |             |             |             |
|--------------|-------------|-------------|-------------|
| • S2 Module  | • O2 Module | • B2 Module | • SO Module |
| • GSM Module | • 3G Module | • 4G Module |             |

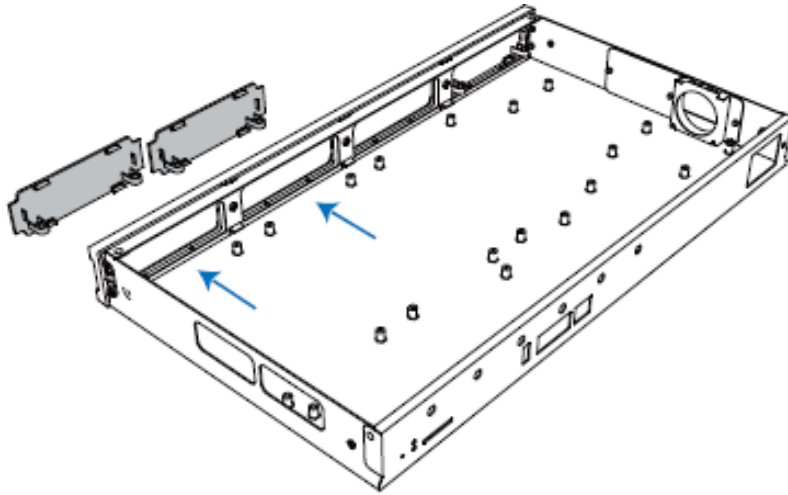
 **Note:**

Before installing the module, check if the module is clean and intact.

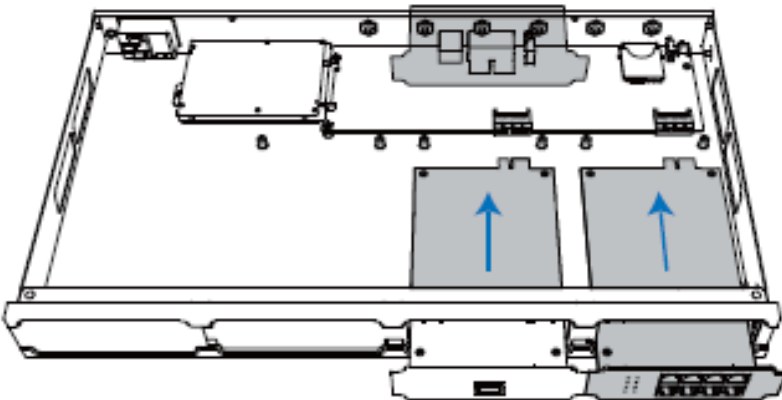
1. Loosen the screws at the bottom of the device and remove the upper cover.



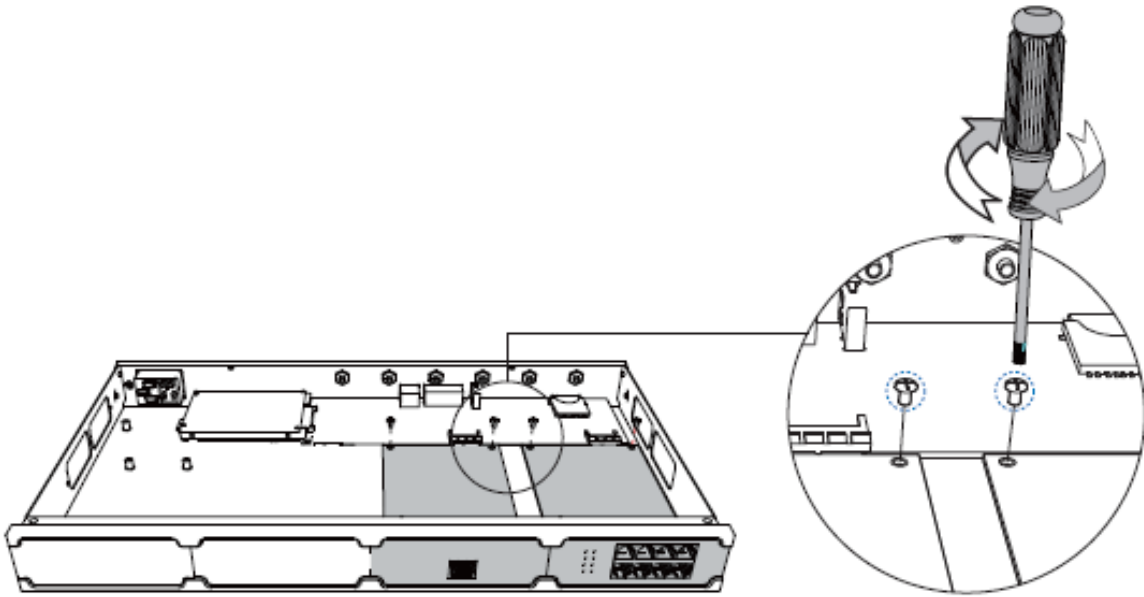
2. Push out the empty board from the inside of the device.




3. Push in the Expansion Board (EX08 or EX30).

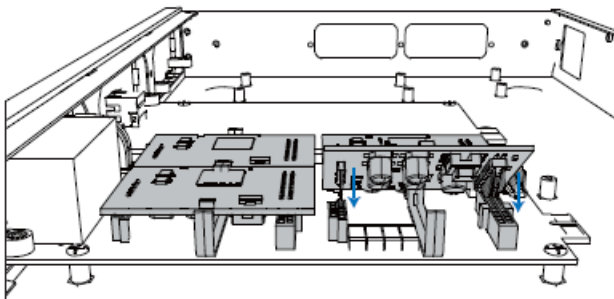


4. Lock the screws to fix the Expansion Board.




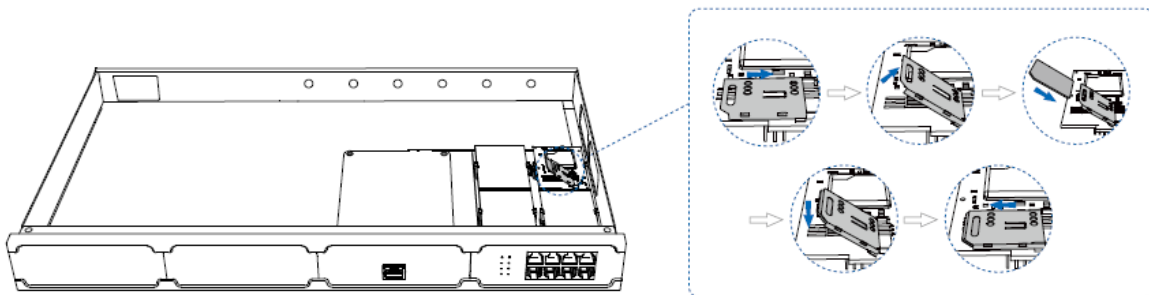
5. Insert the Telephony Modules on the EX08 Board.

 Note:  
Skip this step for EX30 Board.

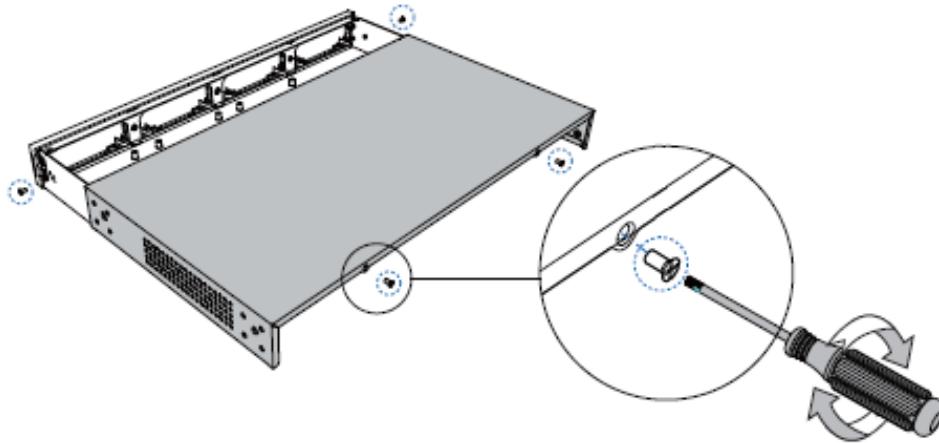


6. Follow the instructions to insert a SIM card on the GSM/3G/4G module.


 Note:  
Skip this step if no GSM/3G/4G module is installed.

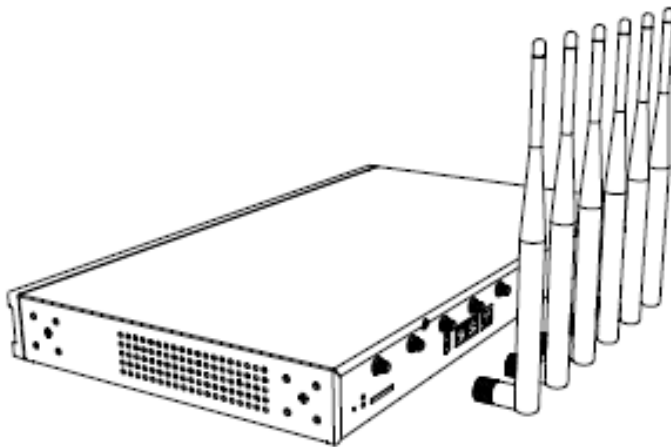


7. Close the cover and fix the screws.



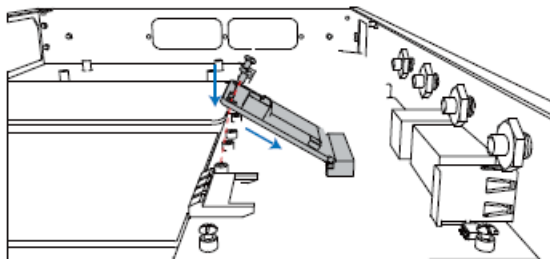
8. Rotate the antenna into the Antenna Socket.

 **Note:**  
Skip this step if no GSM/3G/4G module installed.

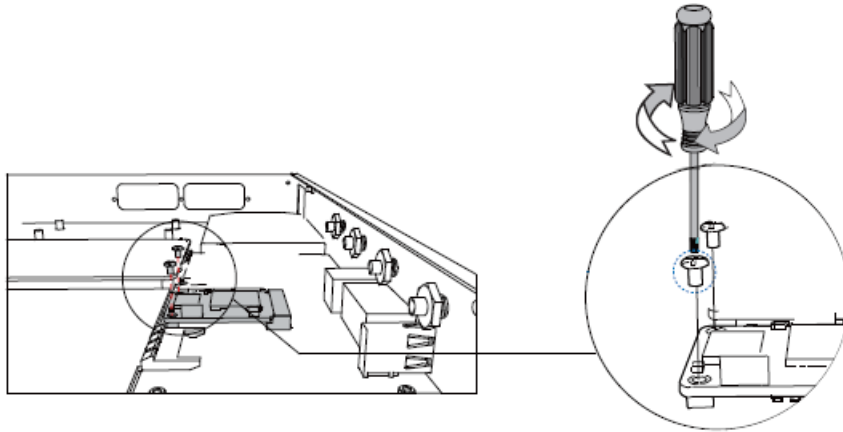


## Install DSP Module

1. Open the device upper cover and insert the DSP module (D30) into the D-Slot from a tilt angle and then press it down.

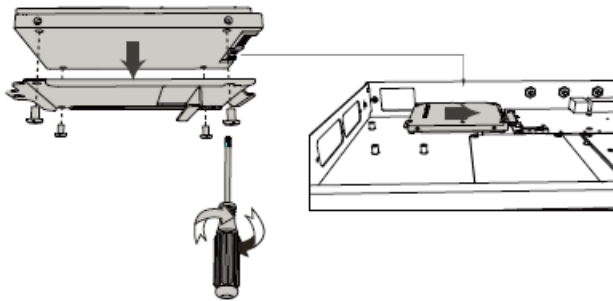


2. Lock the screws to fix the D30 module board.

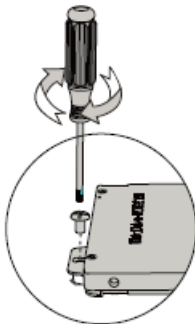


## Hard Disk Installation

1. Lock the hard disk on the bracket and push the hard disk into the bracket.



2. Lock the screw to fix the hard disk.



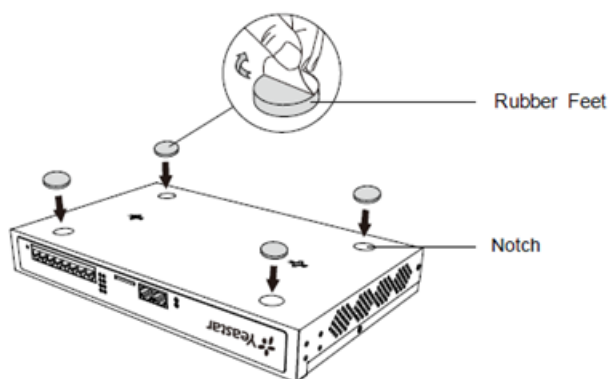
## Desktop Installation

**⚠ CAUTION:**

- Set 5~10cm gaps around the device for air circulation.

- Avoid any heavy thing placed on the device.

1. Place the PBX on a steady platform.
2. Remove the adhesive backing paper from the rubber feet.
3. Turn over the device and attach the supplied rubber feet to the recessed areas on the bottom at each corner of the device.

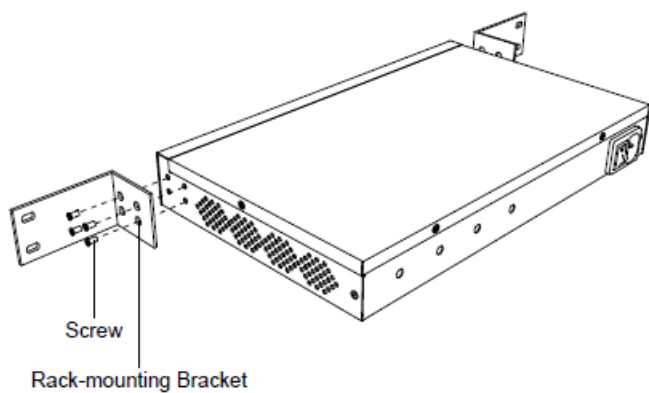


## Rack Installation

### ⚠ CAUTION:

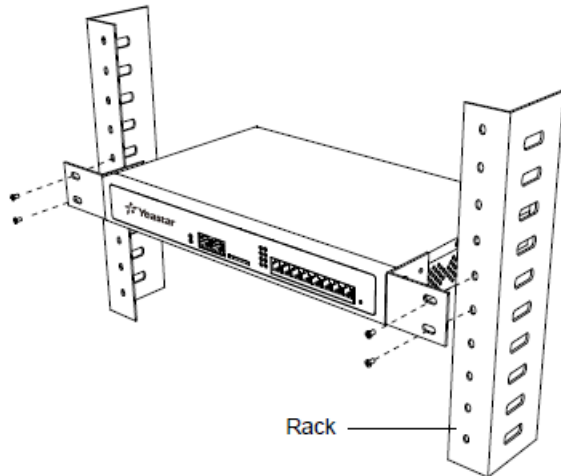
- Be careful not to drop any components. Dropping components may damage them or cause an injury.
- Only use the 19-inch rack mounting kits (attached bracket and fittings) included with the PBX.

1. Fix the brackets to the left and right sides of the PBX with 4 screws.



2. Place the PBX in the 19-inch rack and fix both brackets to the rack with the rack's proprietary mounting equipment.



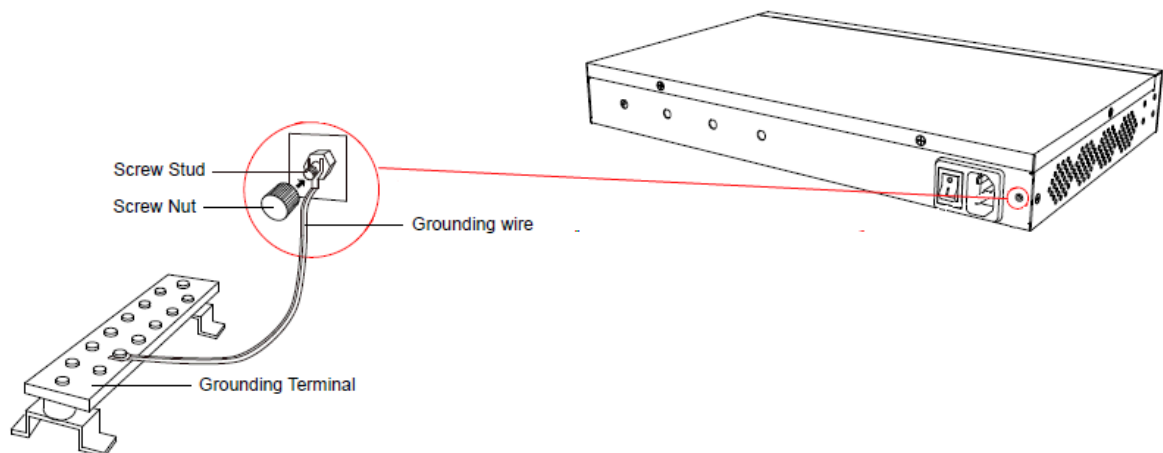


## Ground Connection

### ⚠ CAUTION:

- Proper grounding (connection to ground) is very important to reduce the risk of electrocution to the user or protect the PBX from the bad effects of external noise in the case of a lightning strike.
- A permanent connection between ground and the ground terminal of the PBX must be made.

1. Tighten the provided screw stud into the Grounding port on PBX.
2. Insert an 18AWG grounding wire (user supplied).
3. Tighten the provided screw nut.
4. Attach the grounding wire to the grounding terminal.



## Install Yeastar S412

### Install Telephony Module

Yeastar S412 is designed with 8 fixed on-board FXS ports and 4 reserved slots. You can insert different modules into the 4 reserved slots according to your needs. Yeastar S412 supports installing up to 4 modules.

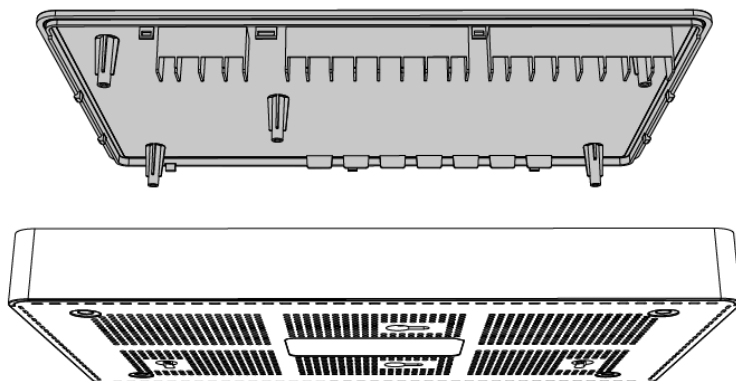
The optional modules are as below:

|              |             |             |
|--------------|-------------|-------------|
| • S2 Module  | • O2 Module | • B2 Module |
| • GSM Module | • 3G Module | • 4G Module |

#### Note:

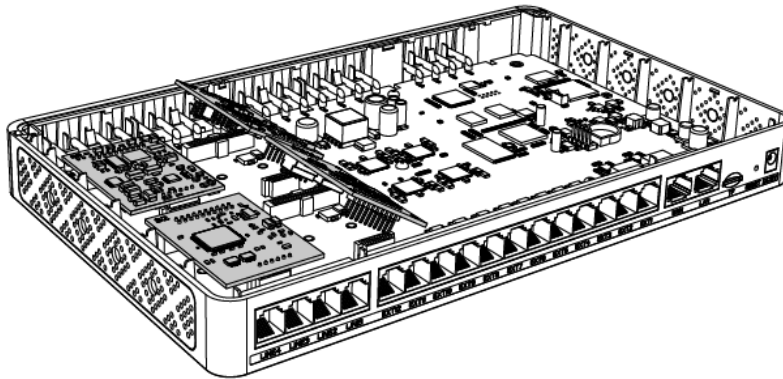
Before installing the module, check if the module is clean and intact.

1. Loosen the screws at the bottom of the device and remove the upper cover.




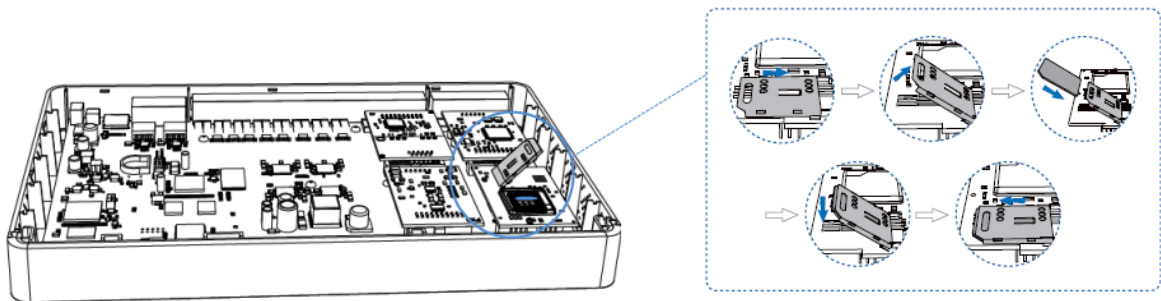
2. Insert the module to the Module Slot.

- T\_Slot1: For S2 module only.
- T\_Slot2: For S2 module only.
- T\_Slot3: For O2 module, B2 module, GSM module, 3G module, and 4G LTE module.
- T\_Slot4: For O2 module, B2 module, GSM module, and 3G module.

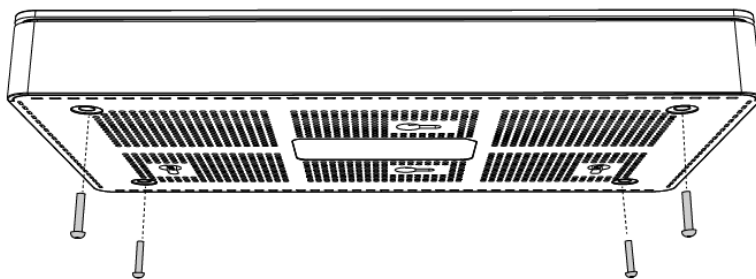


3. Follow the instructions to insert a SIM card on the GSM/3G/4G module.


 **Note:**  
Skip this step if no GSM/3G/4G module is installed.

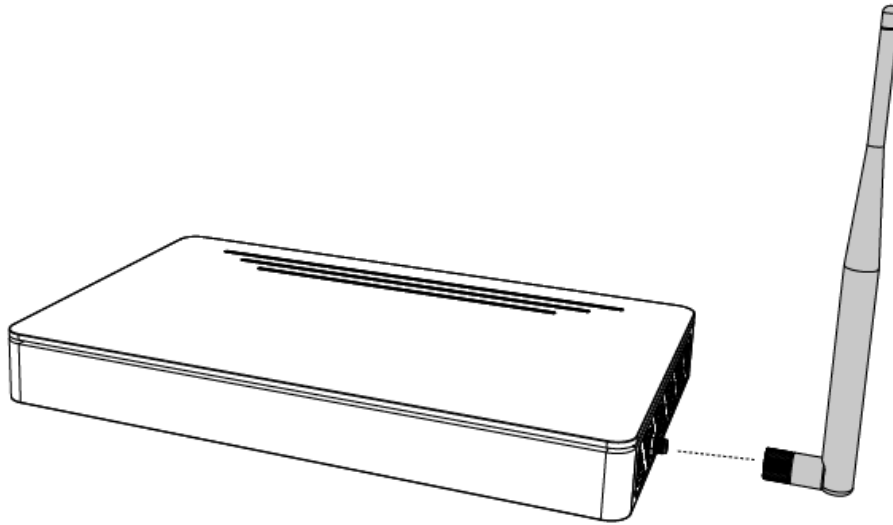


4. Close the cover and fix the screws.



5. Rotate the antenna into the Antenna Socket.

 **Note:**  
Skip this step if no GSM/3G/4G module installed.

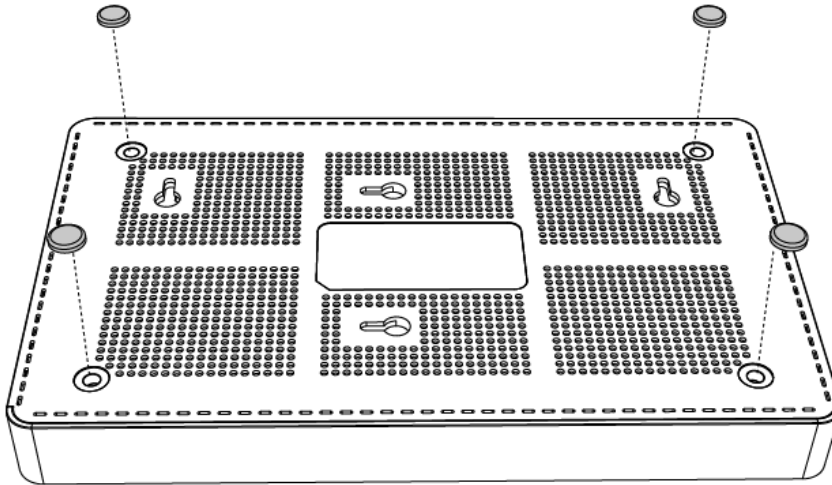


## Desktop Installation

 CAUTION:

- Set 5~10cm gaps around the device for air circulation.
- Avoid any heavy thing placed on the device.

1. Place the PBX on a steady platform.
2. Remove the adhesive backing paper from the rubber feet.
3. Turn over the device and attach the supplied rubber feet to the recessed areas on the bottom at each corner of the device.



## Install Yeastar S412 Lite

### Install Telephony Module

Yeastar S412 Lite is designed with 4 fixed on-board FXS ports (EXT1-4) and 4 reserved slots. You can insert different modules into the 4 reserved slots according to your needs. Yeastar S412 Lite supports installing up to 4 modules.

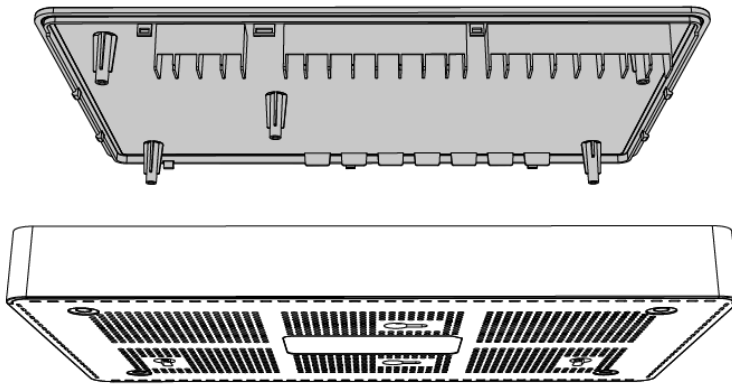
The optional modules are as below:

|              |             |             |
|--------------|-------------|-------------|
| • S2 Module  | • O2 Module | • B2 Module |
| • GSM Module | • 3G Module | • 4G Module |

#### Note:

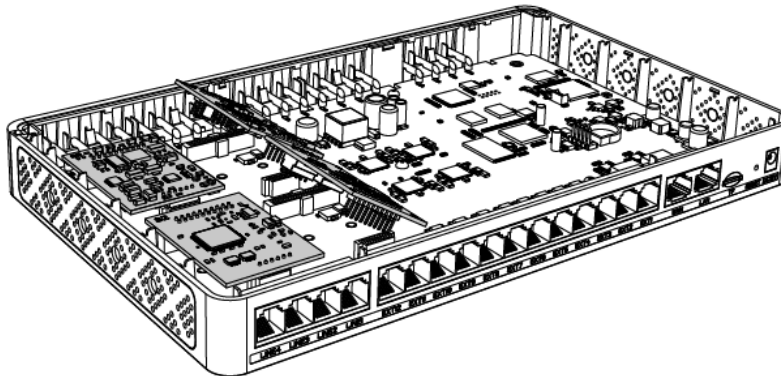
Before installing the module, check if the module is clean and intact.

1. Loosen the screws at the bottom of the device and remove the upper cover.




2. Insert the module to the Module Slot.

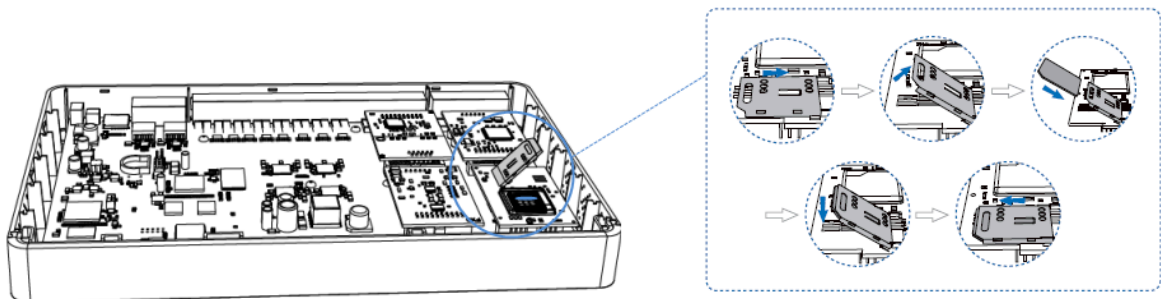
- T\_Slot1: For S2 module only.
- T\_Slot2: For S2 module only.
- T\_Slot3: For O2 module, B2 module, GSM module, 3G module, and 4G LTE module.
- T\_Slot4: For O2 module, B2 module, GSM module, and 3G module.



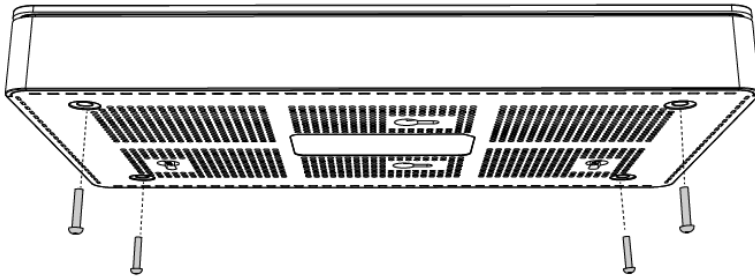
3. Follow the instructions to insert a SIM card on the GSM/3G/4G module.

 Note:


Skip this step if no GSM/3G/4G module is installed.

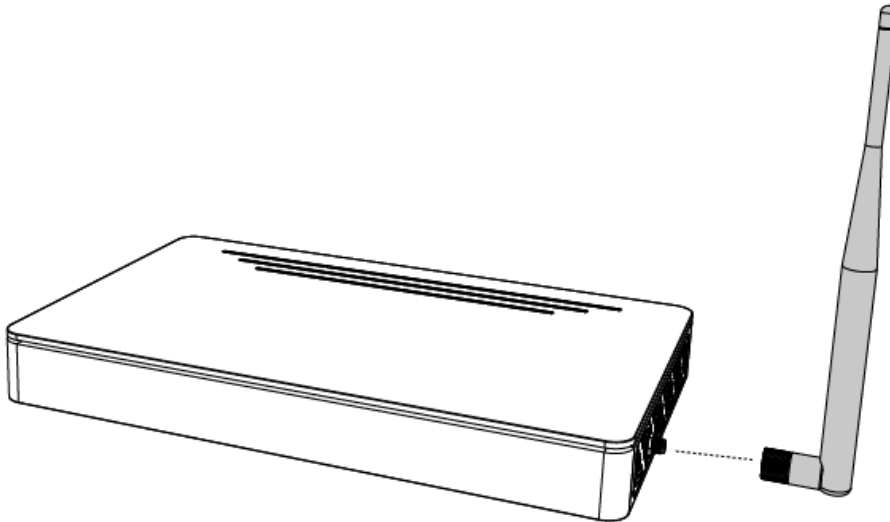


4. Close the cover and fix the screws.




5. Rotate the antenna into the Antenna Socket.

 **Note:**  
Skip this step if no GSM/3G/4G module installed.



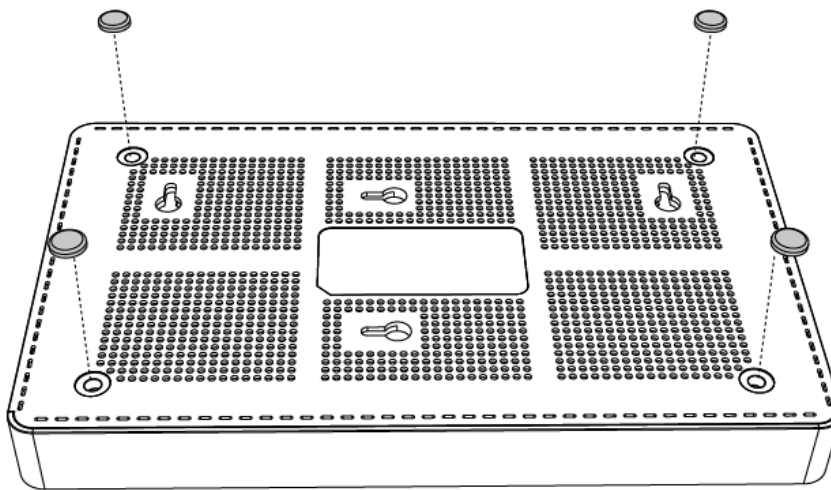
## Desktop Installation

 **CAUTION:**

- Set 5~10cm gaps around the device for air circulation.
- Avoid any heavy thing placed on the device.

1. Place the PBX on a steady platform.
2. Remove the adhesive backing paper from the rubber feet.

3. Turn over the device and attach the supplied rubber feet to the recessed areas on the bottom at each corner of the device.



## Connect Your PBX

Connect your PBX to the local network, and connect telephony lines to the PBX.

1. Connect your PBX to the network.


Connect one end of an Ethernet cable to the LAN port of your PBX, and the other end to any port of your company's LAN switch/router.

2. Power on your PBX.

Plug the provided power cord or power adapter into the power inlet of the PBX, and the other end to a standard electrical wall socket.

Wait for the system to boot up till the SYSTEM LED starts to blink.

3. Connect your PBX to the telephony lines.

 **Note:**

Connect BRI/PSTN/analog phone/fax machine to the corresponding port based on the color of port indicator.

| RJ11 Port | Operation  |
|-----------|--|
| FXS       | Connect one end of a RJ11 phone cable to the port. Connect the other end to the analog phone or fax machine. |
| FXO       | Connect an RJ11 cable to the FXO port. Connect the other end to a PSTN line.                                 |



|               |  |
|---------------|--|
| BRI           | Connect one end of the cable provided by the ISDN BRI provider to the BRI port. Connect the other end to the equipment of ISDN provider.                                     |
| E1/T1/J1 Port | Operation  |
| E1/T1/J1      | For S100 and S300 <ul style="list-style-type: none"><li>• Connect one end of the E1 cable to the E1/T1 port. Connect the other end to the E1 Provider's equipment.</li></ul> |